

TECHNICAL SPECIFICATIONS

KOUGAR 2

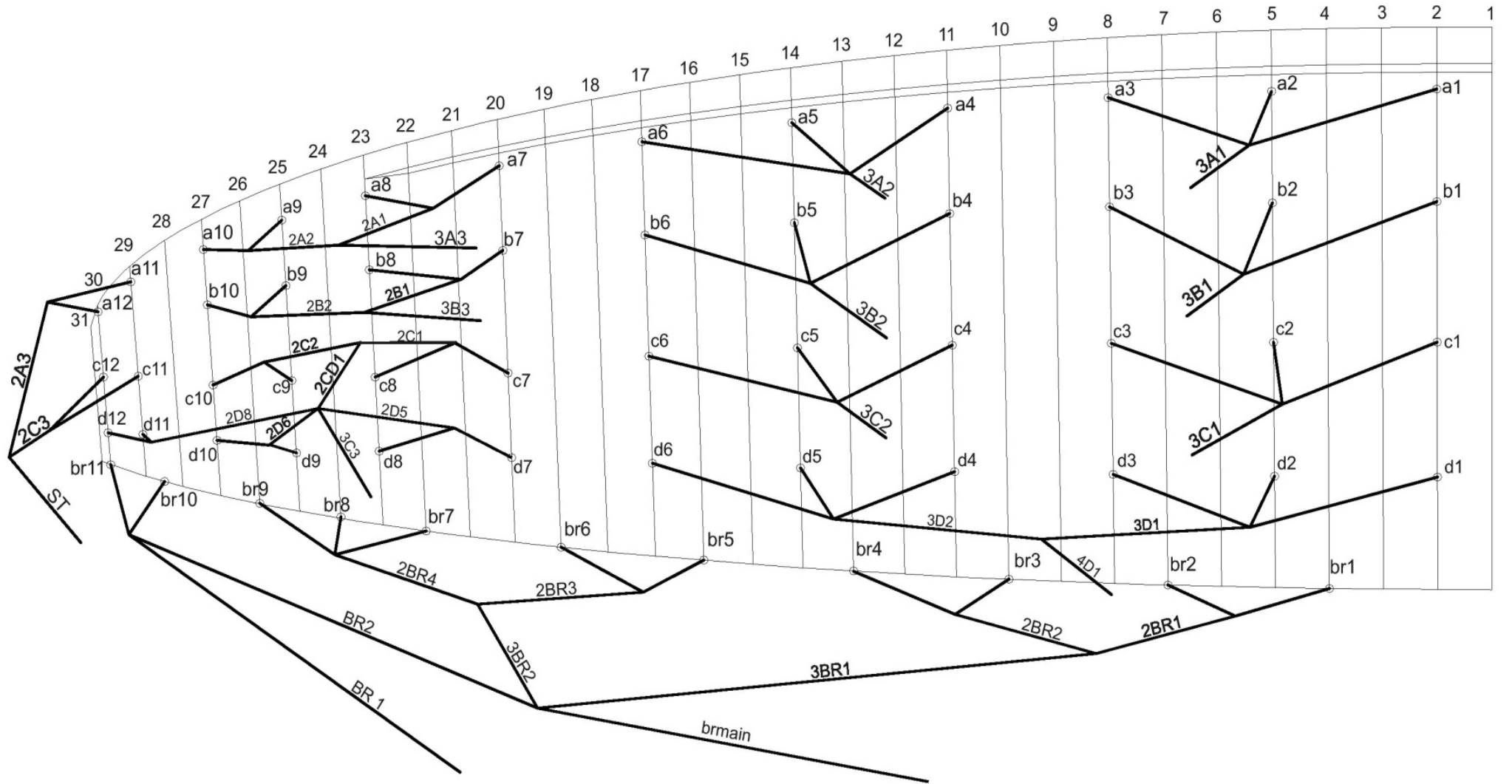


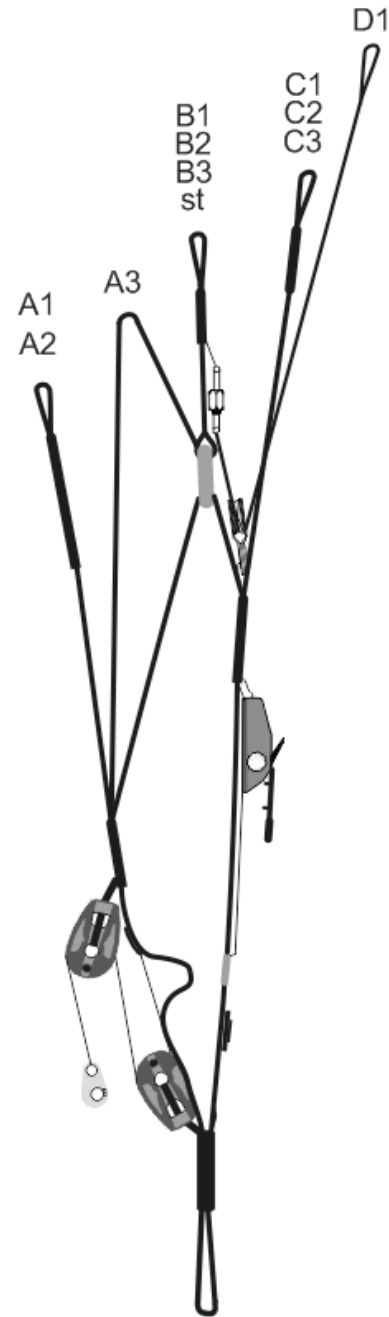
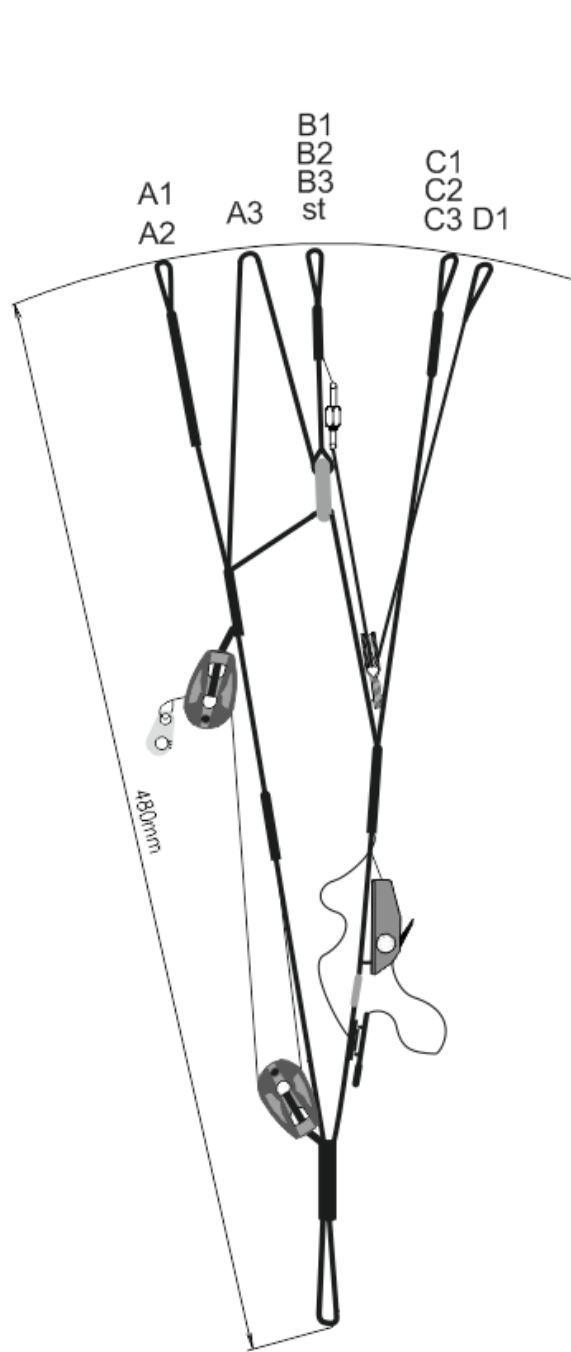
TECHNICAL DATA

KOUGAR 2			20	23	25	28
CELLS	NUMBER		60	60	60	60
	CLOSED		14	14	14	14
	BOX		23	23	23	23
FLAT	AREA	M2	20	23	25,5	28
	SPAN	M	10,86	11,65	12,27	12,85
	ASPECT RATIO		5,9	5,9	5,9	5,9
PROJECTED	AREA	M2	17,28	19,88	22,04	24,02
	SPAN		8,88	9,53	10,03	10,51
	ASPECT RATIO		4,56	4,56	4,56	4,56
FLATTENING		%	15	15	15	15
CORD	MAXIMUM	M	2,25	2,41	2,54	2,66
	MINIMUM		0,54	0,57	0,6	0,63
	AVERAGE		1,84	1,97	2,08	2,18
LINES	TOTAL METERS	M	304	327	345	362
	HEIGHT	M	6,75	7,25	7,55	7,99
	NUMBER		182	182	182	182
	MAIN		2-1-3-4-1	2-1-3-4-1	2-1-3-4-1	2-1-3-4-1
RISERS	NUMBER	4	A/a'/B/C/D	A/a'/B/C/D	A/a'/B/C/D	A/a'/B/C/D
	TRIMS	m/m	135	135	135	135
	ACCELERATOR	m/m	180	180	180	180
	COURSE CORRECTION		YES	YES	YES	YES
TOTAL WEIGHT	MINIMUM	KG	70	80	90	100
IN FLIGHT PPG	MAXIMUM	KG	120	140	160	180
TOTAL WEIGHT	MINIMUM	KG	70	80	90	100
IN FLIGHT TRIKE	MAXIMUM	KG	140	160	180	200
GLIDER WEIGHT		KG	5,2	5,8	6,4	6,8
CERTIFICATION	8G MAXIMUM 180 KG		EN 926-1	EN 926-1	EN 926-1	EN 926-1
	6G MAXIMUM 240 KG		DGAC	DGAC	DGAC	DGAC
	LOAD TEST	KG	1440	1440	1440	1440

MATERIALS TECHNICAL DATA

CANOPY	FABRIC CODE	SUPPLIER
UPPER SURFACE	9017	PORCHER IND (FRANCE)
BOTTOM SURFACE	N 20D MF	DOMINICO TEX CO
PROFILES	9017 E29	DOMINICO TEX CO
DIAGONALS	9018 E29	DOMINICO TEX CO
LOOPS	LKI - 10	KOLON IND. (KOREA)
REINFORCEMENT LOOPS	W-420	D-P (GERMANY)
TRAILING EDGE REINFORCEMENT	MYLAR	D-P (GERMANY)
THREAD	SERAFIL 60	AMAN (GERMANY)
SUSPENSION LINES	FABRIC CODE	SUPPLIER
UPPER CASCADES	TNL - 140	TEIJIM LIMITED (JAPAN)
UPPER CASCADES	TNL - 80	TEIJIM LIMITED (JAPAN)
UPPER CASCADES	DC - 060	LIROS GMHB (GERMANY)
UPPER CASCADES	DC - 040	LIROS GMHB (GERMANY)
MIDDLE CASCADES	TNL - 140	TEIJIM LIMITED (JAPAN)
MIDDLE CASCADES	TNL - 80	TEIJIM LIMITED (JAPAN)
MAIN	TNL - 400	TEIJIM LIMITED (JAPAN)
MAIN	TNL - 280	TEIJIM LIMITED (JAPAN)
MAIN	TNL - 220	TEIJIM LIMITED (JAPAN)
MAIN	TNL - 140	TEIJIM LIMITED (JAPAN)
MAIN BREAK	TNL - 280	TEIJIM LIMITED (JAPAN)
THREAD	SERAFIL 60	AMAN (GERMANY)
RISERS	FABRIC CODE	SUPPLIER
MATERIAL	G-R 18	TECNI SANGLES (FRANCE)
COLOR INDICATOR	PAD	TECNI SANGLES (FRANCE)
THREAD	V138	COATS (ENGLAND)
MAILLONS	MRI4	ANSUNG PRECISION (KOREA)
PULLEYS	PY - 1304	ANSUNG PRECISION (KOREA)





COLORS TECHNICAL DATA

TEAK	1	RUBI	MAIN TOP	REF: NK259
	2	WHITE	HORNS	REF: 001
	3	GOLD	SHADOW	REF: 939
	4	RUBI	MAIN BOTTOM	REF: NK259
	5	GOLD	LEADING SHADOW	REF: 939



LIMA	1	LIMA	MAIN TOP	REF: NK375
	2	GREY BLUE	HORNS	REF: 5405
	3	WHITE	SHADOW	REF: 001
	4	LIMA	MAIN BOTTOM	REF: NK375
	5	WHITE	LEADING SHADOW	REF: 001



WING LOAD TECHNICAL DATA

KOUGAR 2	20		23		25		28	
	P.T.V.	KG/M2	P.T.V.	KG/M2	P.T.V.	KG/M2	P.T.V.	KG/M2
	70	= 3,50	80	= 3,48	90	= 3,60	100	= 3,57
	75	= 3,75	85	= 3,70	95	= 3,80	105	= 3,75
	80	= 4,00	90	= 3,91	100	= 4,00	110	= 3,93
	85	= 4,25	95	= 4,13	105	= 4,20	115	= 4,11
	90	= 4,50	100	= 4,35	110	= 4,40	120	= 4,29
	95	= 4,75	105	= 4,57	115	= 4,60	125	= 4,46
	100	= 5,00	110	= 4,78	120	= 4,80	130	= 4,64
	105	= 5,25	115	= 5,00	125	= 5,00	135	= 4,82
	110	= 5,50	120	= 5,22	130	= 5,20	140	= 5,00
	115	= 5,75	125	= 5,43	135	= 5,40	145	= 5,18
	120	= 6,00	130	= 5,65	140	= 5,60	150	= 5,36
			135	= 5,87	145	= 5,80	155	= 5,54
			140	= 6,09	150	= 6,00	160	= 5,71
			145	= 6,30	155	= 6,20	165	= 5,89
			150	= 6,52	160	= 6,40	170	= 6,07
			155	= 6,74	165	= 6,60	175	= 6,25
			160	= 6,96	170	= 6,80	180	= 6,43
					175	= 7,00	185	= 6,61
					180	= 7,20	190	= 6,79
							195	= 6,96
							200	= 7,14

LINES TECHNICAL DATA

KOUGAR 2 **20**

A					B					C					D					BRAKE				
ref.	mat.	kg	colour	m/m	ref.	mat.	kg	colour	m/m	ref.	mat.	kg	colour	m/m	ref.	mat.	kg	colour	m/m	ref.	mat.	kg	colour	m/m
a1	TNL	140	Green	2596	b1	TNL	140	Blue	2562	c1	TNL	140	Blue	2267	d1	TNL	80	Blue	1915	br1	DC	40	White	1005
a2	TNL	140	Green	2513	b2	TNL	140	Blue	2481	c2	TNL	140	Blue	2171	d2	TNL	80	Blue	1730	br2	DC	40	White	780
a3	TNL	140	Green	2528	b3	TNL	140	Blue	2497	c3	TNL	140	Blue	2194	d3	TNL	80	Blue	1704	br3	DC	40	White	860
a4	TNL	140	Green	2391	b4	TNL	140	Blue	2353	c4	TNL	140	Blue	2078	d4	TNL	80	Blue	1607	br4	DC	40	White	924
a5	TNL	140	Green	2341	b5	TNL	140	Blue	2309	c5	TNL	80	Blue	2021	d5	TNL	80	Blue	1614	br5	DC	40	White	842
a6	TNL	140	Green	2374	b6	TNL	140	Blue	2349	c6	TNL	80	Blue	2071	d6	TNL	80	Blue	1759	br6	DC	40	White	799
a7	DC	100	White	916	b7	DC	100	White	895	c7	DC	60	White	902	d7	DC	60	White	1167	br7	DC	40	White	801
a8	DC	60	White	816	b8	DC	60	White	801	c8	DC	60	White	763	d8	DC	60	White	1041	br8	DC	40	White	791
a9	DC	60	White	534	b9	DC	60	White	523	c9	DC	60	White	501	d9	DC	60	White	687	br9	DC	40	White	864
a10	DC	60	White	520	b10	DC	60	White	518	c10	DC	60	White	531	d10	DC	60	White	655	br10	DC	40	White	361
a11	DC	60	White	324						c11	DC	60	White	328	d11	DC	60	White	305	br11	DC	40	White	284
a12	DC	60	White	279						c12	DC	40	White	288	d12	DC	40	White	316					
2A1	TNL	140	Green	902	2B1	TNL	140	Blue	823	2C1	TNL	140	Blue	284	2D5	TNL	80	Blue	591	2BR1	TNL	80	Red	1324
2A2	TNL	80	Green	1125	2B2	TNL	80	Blue	1057	2C2	TNL	140	Blue	523	2D6	TNL	80	Blue	885	2BR2	TNL	80	Red	1171
2A3	TNL	80	Red	611						2C3	TNL	140	Blue	609	2D8	TNL	80	Blue	1202	2BR3	TNL	80	Red	1231
										2CD1	TNL	220	Blue	514						2BR4	TNL	80	Red	1228
3A1	TNL	400	Green	3606	3B1	TNL	400	Blue	3553	3C1	TNL	220	Blue	3908	3D1	TNL	140	Blue	1471	BR1	TNL	80	Red	5512
3A2	TNL	400	Green	3720	3B2	TNL	400	Blue	3679	3C2	TNL	220	Blue	4001	3D2	TNL	140	Blue	1557	BR2	TNL	80	Red	3445
3A3	TNL	280	Green	4238	3B3	TNL	280	Blue	4286	3C3	TNL	140	Blue	4374										
					ST	TNL	80	Red	4727					4D1	TNL	220	Blue	3044	3BR1	TNL	80	Red	1988	
																			3BR2	TNL	80	Red	1928	
																			brmain	TNL	280	Red	2728	
																							knot point: 2528	

LINES TECHNICAL DATA

KOUGAR 2 23

A					B					C					D					BRAKE				
ref.	mat.	kg	colour	m/m	ref.	mat.	kg	colour	m/m	ref.	mat.	kg	colour	m/m	ref.	mat.	kg	colour	m/m	ref.	mat.	kg	colour	m/m
a1	TNL	140	Green	2782	b1	TNL	140	Blue	2746	c1	TNL	140	Blue	2429	d1	TNL	80	Blue	2052	br1	DC	40	White	1078
a2	TNL	140	Green	2696	b2	TNL	140	Blue	2661	c2	TNL	140	Blue	2329	d2	TNL	80	Blue	1856	br2	DC	40	White	838
a3	TNL	140	Green	2713	b3	TNL	140	Blue	2681	c3	TNL	140	Blue	2356	d3	TNL	80	Blue	1830	br3	DC	40	White	921
a4	TNL	140	Green	2563	b4	TNL	140	Blue	2522	c4	TNL	140	Blue	2226	d4	TNL	80	Blue	1723	br4	DC	40	White	992
a5	TNL	140	Green	2511	b5	TNL	140	Blue	2477	c5	TNL	80	Blue	2168	d5	TNL	80	Blue	1731	br5	DC	40	White	903
a6	TNL	140	Green	2547	b6	TNL	140	Blue	2520	c6	TNL	80	Blue	2222	d6	TNL	80	Blue	1886	br6	DC	40	White	857
a7	DC	100	White	982	b7	DC	100	White	960	c7	DC	60	White	967	d7	DC	60	White	1252	br7	DC	40	White	858
a8	DC	60	White	875	b8	DC	60	White	859	c8	DC	60	White	818	d8	DC	60	White	1117	br8	DC	40	White	848
a9	DC	60	White	573	b9	DC	60	White	560	c9	DC	60	White	537	d9	DC	60	White	736	br9	DC	40	White	927
a10	DC	60	White	558	b10	DC	60	White	555	c10	DC	60	White	570	d10	DC	60	White	702	br10	DC	40	White	387
a11	DC	60	White	347						c11	DC	60	White	351	d11	DC	60	White	326	br11	DC	40	White	304
a12	DC	60	White	299						c12	DC	40	White	309	d12	DC	40	White	338					
2A1	TNL	140	Green	967	2B1	TNL	140	Blue	883	2C1	TNL	140	Blue	304	2D5	TNL	80	Blue	633	2BR1	TNL	80	Red	1416
2A2	TNL	80	Green	1206	2B2	TNL	80	Blue	1134	2C2	TNL	140	Blue	562	2D6	TNL	80	Blue	949	2BR2	TNL	80	Red	1256
2A3	TNL	80	Red	655						2C3	TNL	140	Blue	653	2D8	TNL	80	Blue	1290	2BR3	TNL	80	Red	1321
										2CD1	TNL	220	Blue	551						2BR4	TNL	80	Red	1321
3A1	TNL	400	Green	3904	3B1	TNL	400	Blue	3846	3C1	TNL	220	Blue	4227	3D1	TNL	140	Blue	1594	BR1	TNL	80	Red	5916
3A2	TNL	400	Green	4032	3B2	TNL	400	Blue	3988	3C2	TNL	220	Blue	4333	3D2	TNL	140	Blue	1692	BR2	TNL	80	Red	3702
3A3	TNL	280	Green	4589	3B3	TNL	280	Blue	4641	3C3	TNL	140	Blue	4736										
					ST	TNL	80	Red	5116					4D1	TNL	220	Blue	3284	3BR1	TNL	80	Red	2130	
																			3BR2	TNL	80	Red	2070	
																			brmain	TNL	280	Red	3002	
																							knot point: 2802	

LINES TECHNICAL DATA

KOUGAR 2 25

A					B					C					D					BRAKE				
ref.	mat.	kg	colour	m/m	ref.	mat.	kg	colour	m/m	ref.	mat.	kg	colour	m/m	ref.	mat.	kg	colour	m/m	ref.	mat.	kg	colour	m/m
a1	TNL	140	Green	2928	b1	TNL	140	Blue	2889	c1	TNL	140	Blue	2556	d1	TNL	80	Blue	2160	br1	DC	40	White	1135
a2	TNL	140	Green	2839	b2	TNL	140	Blue	2802	c2	TNL	140	Blue	2453	d2	TNL	80	Blue	1955	br2	DC	40	White	883
a3	TNL	140	Green	2859	b3	TNL	140	Blue	2825	c3	TNL	140	Blue	2483	d3	TNL	80	Blue	1930	br3	DC	40	White	969
a4	TNL	140	Green	2698	b4	TNL	140	Blue	2654	c4	TNL	140	Blue	2343	d4	TNL	80	Blue	1813	br4	DC	40	White	1045
a5	TNL	140	Green	2644	b5	TNL	140	Blue	2608	c5	TNL	80	Blue	2282	d5	TNL	80	Blue	1823	br5	DC	40	White	950
a6	TNL	140	Green	2683	b6	TNL	140	Blue	2655	c6	TNL	80	Blue	2341	d6	TNL	80	Blue	1986	br6	DC	40	White	903
a7	DC	100	White	1034	b7	DC	100	White	1010	c7	DC	60	White	1019	d7	DC	60	White	1318	br7	DC	40	White	903
a8	DC	60	White	922	b8	DC	60	White	905	c8	DC	60	White	862	d8	DC	60	White	1176	br8	DC	40	White	893
a9	DC	60	White	603	b9	DC	60	White	590	c9	DC	60	White	565	d9	DC	60	White	775	br9	DC	40	White	976
a10	DC	60	White	588	b10	DC	60	White	585	c10	DC	60	White	600	d10	DC	60	White	740	br10	DC	40	White	408
a11	DC	60	White	366						c11	DC	60	White	370	d11	DC	60	White	344	br11	DC	40	White	320
a12	DC	60	White	315						c12	DC	40	White	325	d12	DC	40	White	356					
2A1	TNL	140	Green	1018	2B1	TNL	140	Blue	929	2C1	TNL	140	Blue	320	2D5	TNL	80	Blue	666	2BR1	TNL	80	Red	1488
2A2	TNL	80	Green	1270	2B2	TNL	80	Blue	1194	2C2	TNL	140	Blue	592	2D6	TNL	80	Blue	1000	2BR2	TNL	80	Red	1324
2A3	TNL	80	Red	690						2C3	TNL	140	Blue	687	2D8	TNL	80	Blue	1359	2BR3	TNL	80	Red	1391
										2CD1	TNL	220	Blue	580						2BR4	TNL	80	Red	1394
3A1	TNL	400	Green	4137	3B1	TNL	400	Blue	4076	3C1	TNL	220	Blue	4476	3D1	TNL	140	Blue	1690	BR1	TNL	80	Red	6345
3A2	TNL	400	Green	4277	3B2	TNL	400	Blue	4230	3C2	TNL	220	Blue	4594	3D2	TNL	140	Blue	1797	BR2	TNL	80	Red	3904
3A3	TNL	280	Green	4865	3B3	TNL	280	Blue	4919	3C3	TNL	140	Blue	5020										
					ST	TNL	80	Red	5420					4D1	TNL	220	Blue	3473	3BR1	TNL	80	Red	2242	
																			3BR2	TNL	80	Red	2181	
																			brmain	TNL	280	Red	3158	
																						knot point:	2958	

LINES TECHNICAL DATA

KOUGAR 2 28

A					B					C					D					BRAKE				
ref.	mat.	kg	colour	m/m	ref.	mat.	kg	colour	m/m	ref.	mat.	kg	colour	m/m	ref.	mat.	kg	colour	m/m	ref.	mat.	kg	colour	m/m
a1	TNL	140	Green	3067	b1	TNL	140	Blue	3026	c1	TNL	140	Blue	2677	d1	TNL	80	Blue	2262	br1	DC	40	White	1189
a2	TNL	140	Green	2975	b2	TNL	140	Blue	2937	c2	TNL	140	Blue	2571	d2	TNL	80	Blue	2050	br2	DC	40	White	927
a3	TNL	140	Green	2998	b3	TNL	140	Blue	2962	c3	TNL	140	Blue	2604	d3	TNL	80	Blue	2024	br3	DC	40	White	1014
a4	TNL	140	Green	2826	b4	TNL	140	Blue	2781	c4	TNL	140	Blue	2454	d4	TNL	80	Blue	1900	br4	DC	40	White	1095
a5	TNL	140	Green	2771	b5	TNL	140	Blue	2733	c5	TNL	80	Blue	2392	d5	TNL	80	Blue	1910	br5	DC	40	White	995
a6	TNL	140	Green	2812	b6	TNL	140	Blue	2782	c6	TNL	80	Blue	2454	d6	TNL	80	Blue	2081	br6	DC	40	White	947
a7	DC	100	White	1084	b7	DC	100	White	1059	c7	DC	60	White	1067	d7	DC	60	White	1381	br7	DC	40	White	946
a8	DC	60	White	966	b8	DC	60	White	948	c8	DC	60	White	903	d8	DC	60	White	1233	br8	DC	40	White	935
a9	DC	60	White	632	b9	DC	60	White	618	c9	DC	60	White	592	d9	DC	60	White	812	br9	DC	40	White	1023
a10	DC	60	White	616	b10	DC	60	White	613	c10	DC	60	White	629	d10	DC	60	White	775	br10	DC	40	White	427
a11	DC	60	White	383						c11	DC	60	White	388	d11	DC	60	White	360	br11	DC	40	White	336
a12	DC	60	White	330						c12	DC	40	White	341	d12	DC	40	White	373					
2A1	TNL	140	Green	1067	2B1	TNL	140	Blue	974	2C1	TNL	140	Blue	335	2D5	TNL	80	Blue	697	2BR1	TNL	80	Red	1557
2A2	TNL	80	Green	1331	2B2	TNL	80	Blue	1251	2C2	TNL	140	Blue	620	2D6	TNL	80	Blue	1047	2BR2	TNL	80	Red	1388
2A3	TNL	80	Red	723						2C3	TNL	140	Blue	720	2D8	TNL	80	Blue	1424	2BR3	TNL	80	Red	1458
										2CD1	TNL	220	Blue	607						2BR4	TNL	80	Red	1463
3A1	TNL	400	Green	4359	3B1	TNL	400	Blue	4296	3C1	TNL	220	Blue	4714	3D1	TNL	140	Blue	1782	BR1	TNL	80	Red	6678
3A2	TNL	400	Green	4510	3B2	TNL	400	Blue	4461	3C2	TNL	220	Blue	4842	3D2	TNL	140	Blue	1898	BR2	TNL	80	Red	4095
3A3	TNL	280	Green	5127	3B3	TNL	280	Blue	5184	3C3	TNL	140	Blue	5291						3BR1	TNL	80	Red	2348
					ST	TNL	80	Red	5710					4D1	TNL	220	Blue	3653	3BR2	TNL	80	Red	2286	
																			brmain	TNL	280	Red	3325	
																							knot point: 3125	

KOUGAR 2 20

LINES HEIGHT m/m

	A	B	C	D	br
1	6190	6103	6164	6418	6845
2	6108	6022	6068	6233	6620
3	6122	6038	6090	6207	6547
4	6100	6020	6067	6196	6611
5	6050	5977	6010	6204	6529
6	6082	6016	6060	6348	6486
7	6044	5992	6062	6120	6485
8	5944	5898	5923	5994	6475
9	5885	5861	5900	5933	6548
10	5871	5856	5930	5902	5873
11	5663		5664	5869	5796
12	5618		5625	5880	

RISERS LENGHT m/m

	A	B	C	D	
	480	480	480	480	STANDARD
	480	525	570	615	TRIMMER OPENED
	300	395	480	565	ACCELERATED

KOUGAR 2 23

LINES HEIGHT m/m

	A	B	C	D	br
1	6675	6582	6646	6920	7426
2	6589	6497	6546	6725	7186
3	6607	6517	6573	6698	7109
4	6585	6500	6550	6689	7180
5	6533	6455	6491	6697	7096
6	6569	6498	6545	6853	7050
7	6529	6473	6549	6611	7051
8	6422	6372	6400	6476	7041
9	6359	6325	6375	6411	7120
10	6344	6320	6408	6378	6303
11	6113		6115	6342	6220
12	6065		6072	6354	

RISERS LENGHT m/m

	A	B	C	D	
	480	480	480	480	STANDARD
	480	525	570	615	TRIMMER OPENED
	300	395	480	565	ACCELERATED

KOUGAR 2 25

LINES HEIGHT m/m

	A	B	C	D	br
1	7050	6951	7018	7308	7928
2	6961	6864	6914	7103	7571
3	6981	6886	6944	7078	7493
4	6960	6870	6922	7069	7569
5	6906	6823	6861	7078	7480
6	6945	6870	6919	7242	7433
7	6902	6844	6924	6989	7436
8	6790	6738	6767	6847	7426
9	6724	6688	6742	6780	7509
10	6708	6682	6776	6744	6753
11	6470		6472	6708	6665
12	6420		6428	6720	

RISERS LENGHT m/m

	A	B	C	D	
	480	480	480	480	STANDARD
	480	525	570	615	TRIMMER OPENED
	300	395	480	565	ACCELERATED

KOUGAR 2 28

LINES HEIGHT m/m

	A	B	C	D	br
1	7411	7307	7377	7681	8219
2	7319	7217	7270	7469	7957
3	7342	7243	7303	7443	7875
4	7321	7227	7281	7435	7956
5	7265	7179	7219	7445	7864
6	7307	7229	7281	7617	7816
7	7263	7201	7286	7354	7820
8	7145	7091	7122	7206	7809
9	7076	7038	7095	7135	7897
10	7059	7033	7132	7098	7105
11	6810		6813	7060	7014
12	6758		6766	7073	

RISERS LENGHT m/m

	A	B	C	D	
	480	480	480	480	STANDARD
	480	525	570	615	TRIMMER OPENED
	300	395	480	565	ACCELERATED

SUSPENSION TECHNICAL DATA

KOUGAR 2

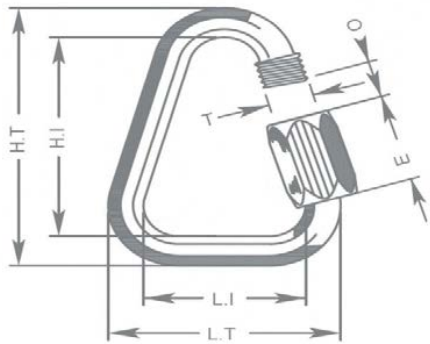
MATERIAL CODE		DC	DC	TNL	TNL	TNL	TNL	TNL
STRENGTH CODE		40	60	080	140	220	280	400
DIAMETER m/m	∅	0,5	0,6	1,1	1,4	1,6	1,8	2,3
CORE MATERIAL		DYNEEMA	DYNEEMA	Technora	Technora	Technora	Technora	Technora
SLEEVE MATERIAL		NO	NO	Polyester	Polyester	Polyester	Polyester	Polyester
WEIGHT G/M	TOTAL	0,19	0,24	1,1	1,96	2,35	2,7	4
BREAKING STRENGTH	MINIMUM	40	60	80	140	220	280	460
	MAXIMUM	48	84	92	160	250	320	470
STRENGTH AFTER								
5.000 BENDING	TEST EN	33	74	36,7	76,1	114,2	134,7	160,1
CYCLES								
ELONGATION AT	5 daN en %			0,3	0,2	0,2	0,2	0,05
	10 daN en %		0,43	0,5	0,3	0,3	0,3	0,1
	15 daN en %			0,7	0,5	0,5	0,4	0,2
	20 daN en %			1	0,6	0,6	0,4	0,2
	25 daN en %			1,3	0,8	0,7	0,5	0,3
	30 daN en %		1,2	2,3	1,5	1,2	0,9	0,6
	75 daN en %			2,8	2,3	1,8	1,3	0,8
	100 daN en %				2,7	2,2	1,7	1,1
	125 daN en %				3,2	2,7	2	1,4
	150 daN en %					3	2,3	1,7
	175 daN en %					3,3	2,7	2
	200 daN en %					3,8	2,8	2,2
Elongation max. breaking strength %			3,2	3	3,4	4	4,1	4,6

MAILLON & PULLEY TECHNICAL DATA

DESCRIPTION

MAILLON	DELTA
CODE	MRI4
MATERIAL	STAINLESS STEEL
SIZE	4,3 m/m
WEIGHT	12 G/PIECE

TECHNICAL SPECIFICATIONS



DIMENSIONS	m/m
L.T.	28
L.I.	20
H.T.	38
H.I.	30
O	4
E	11
T	4
LOAD	KG
WORKING LIMIT	150
BREAKING	750

MATERIAL	
AISI 304 STAINLESS STEEL	STANDARD

CLOSING APPLIED BY MANUAL & ENTIRE SCREWING OF THE NUT
TO GUARANTEE THE HIGHEST SAFETY (NO THREAD SHOULD BE OBVIOUS)

SYSTEMATIC CONTROL OF MAILLON QUICK-LINKS BEFORE EVERY FLIGHT

THREAD TECHNICAL DATA

SAIL MAKING

NAME	SERAFIL
Nº OF REFERENCE	60
MATERIAL	POLYESTER
TYPE OF FINISH	SILK
LINEAR DENSITY	NM 61 / 3 (DTEX 163 * 3)
BREAKING STRENGTH	3,000 CN
ELONGATION	17,00%

PROPIETIES SERAFIL

SOLIDITY ARTIFICIAL LIGTH	ISO 105 B02 > 5 - 6
SOLIDITY SWEAT	ISO 105 E04 > 4
SOLIDITY WASHING	ISO 105 C04 > 3
SOLIDITY GRAZE IN DRY	ISO 105 X12 > 4
SOLIDITY WASHING IN DRY	ISO 105 D01 > 3 - 4

TREATMENT WATER REPELLENT	WR
---------------------------	----

RISERS MAKING

NAME	COATS BONDED C.F.P.
Nº OF REFERENCE	V138
MATERIAL	POLYESTER
TYPE OF FINISH	SILK
BREAKING STRENGTH	9,5 KG
ELONGATION	19%

RISERS

Nº OF REFERENCE	18
MATERIAL	POLYESTER
WIDTH	18 M/M
THICKNESS	1,52 M/M
BREAKING STRENGTH	1,100DAN
ELONGATION	MAX. 15%
WEIGHT	25 G* L.M.
COLOR	BLACK

COLOR INDICATOR

Nº OF REFERENCE	IC-G 1-2
MATERIAL	POLYESTER
WIDTH	70 M/M
THICKNESS	0,80 M/M
BREAKING STRENGTH	130 DN
ELONGATION	35 %
WEIGHT	32 G * L.M.
COLOR	GREEN

LOOPS

Nº OF REFERENCE	LKI - 10
MATERIAL	NYLON
WIDTH	10 M/M
BREAKING STRENGTH	84 KG
ELONGATION	30 %
WEIGHT	5,5 G/M
COLOR	WHITE

