

# **TECHNICAL SPECIFICATIONS E-GRAVITY**



**TECHNICAL DATA**

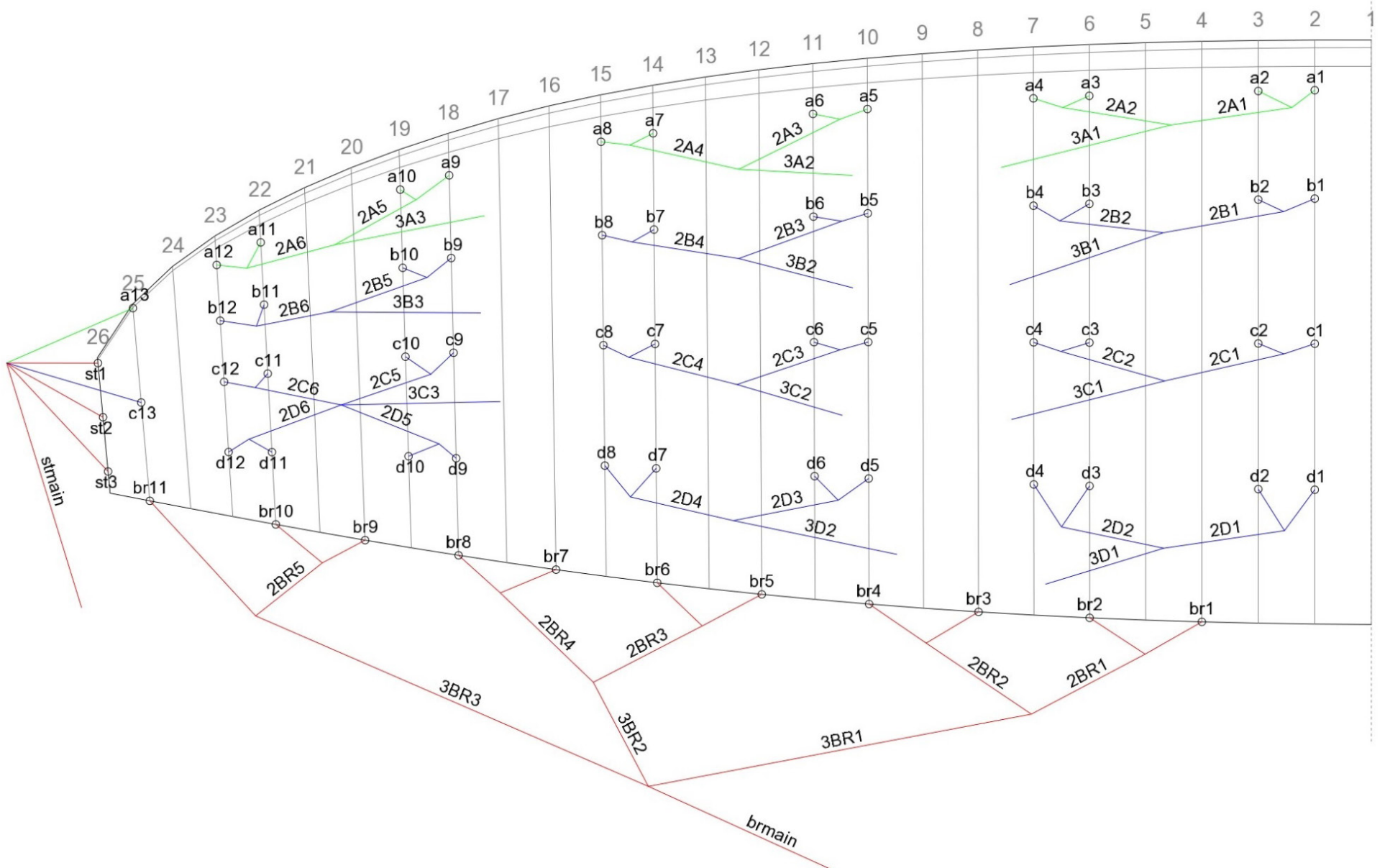
<b>E-GRAVITY</b>			<b>19</b>	<b>21</b>	<b>23</b>
CELLS	NUMBER		50	50	50
	CLOSED		6	6	6
	BOX		27	27	27
FLAT	AREA	M2	19	21	23
	SPAN	M	10,03	10,55	11,04
	ASPECT RATIO		5,3	5,3	5,3
PROJECTED	AREA	M2	16,27	17,98	19,69
	SPAN		7,97	8,38	8,77
	ASPECT RATIO		3,9	3,9	3,9
FLATTENING		%	15%	15%	15%
CORD	MAXIMUM		2,33	2,44	2,55
	MINIMUM		0,54	0,57	0,59
	AVERAGE		1,89	1,99	2,08
LINES	TOTAL METERS	M	261	275,8	289,3
	HEIGHT	M	6,29	6,62	6,92
	NUMBER		218	218	218
	MAIN		2+1/3/4/2	2+1/3/4/2	2+1/3/4/2
RISERS	NUMBER	4+1	A+A'/B/C/D	A+A'/B/C/D	A+A'/B/C/D
	TRIMS		NO	NO	NO
	ACCELERATOR	M/M	100	100	100
TOTAL WEIGHT	MINIMUM	KG	60	75	90
IN FLIGHT	MAXIMUM	KG	80	95	110
GLIDER WEIGHT		KG	4,4	4,7	5
CERTIFICATION	EN / LTF		926-1	B	B

**MATERIALS TECHNICAL DATA**

<b>CANOPY</b>	<b>FABRIC CODE</b>	<b>SUPPLIER</b>
UPPER SURFACE	9017 E25	PORCHER IND (FRANCE)
BOTTOM SURFACE	N20DMF	DOMINICO TEX CO (KOREA)
RIBS	9017 E29	PORCHER IND (FRANCE)
DIAGONALS	9017 E29	PORCHER IND (FRANCE)
LOOPS	LKI - 10	KOLON IND. (KOREA)
REINFORCEMENT LOOPS	W-420	D-P (GERMANY)
TRAILING EDGE REINFORCEMENT	MYLAR	D-P (GERMANY)
REINFORCEMENT RIBS	LTN-0.8 STICK	SPORTWARE CO. (CHINA)
THREAD	SERAFIL 60	AMAN (GERMANY)

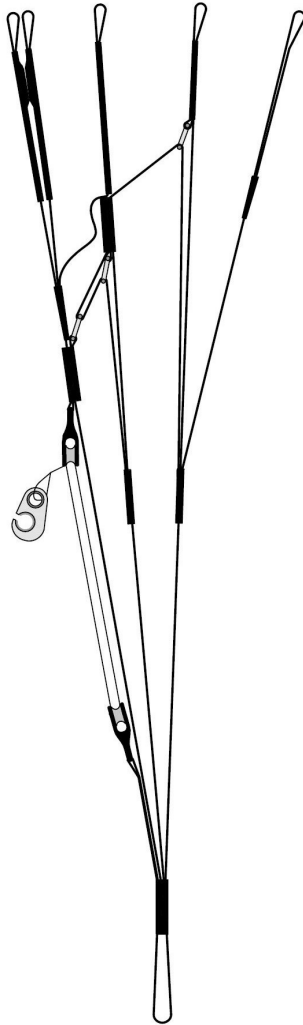
<b>SUSPENSION LINES</b>	<b>FABRIC CODE</b>	<b>SUPPLIER</b>
UPPER CASCADES	TNL - 080	TEIJIM LIMITED (JAPAN)
MIDDLE CASCADES	TNL - 080	TEIJIM LIMITED (JAPAN)
MIDDLE CASCADES	TNL - 140	TEIJIM LIMITED (JAPAN)
MAIN	TNL - 220	TEIJIM LIMITED (JAPAN)
MAIN	TNL - 280	TEIJIM LIMITED (JAPAN)
MAIN	TNL - 400	TEIJIM LIMITED (JAPAN)
MAIN BREAK	TNL - 400	TEIJIM LIMITED (JAPAN)
THREAD	SERAFIL 60	AMAN (GERMANY)

<b>RISERS</b>	<b>FABRIC CODE</b>	<b>SUPPLIER</b>
MATERIAL	WD103	COUSIN (FRANCE)
COLOR INDICATOR	210D	TECNI SANGLES (FRANCE)
THREAD	V138	COATS (ENGLAND)
MAILLONS	MRI4	ANSUNG PRECISION (KOREA)
PULLEY	PY - 1304-2	ANSUNG PRECISION (KOREA)



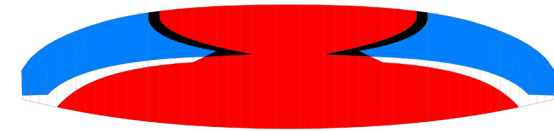
RISERS PLAN

**A**   **A'**   **B**   **C**   **D**  
 3A1 3A3   3B1   3C1   3D1  
 3A2     3B2   3C2   3D2  
           3B3   3C3  
           stmain

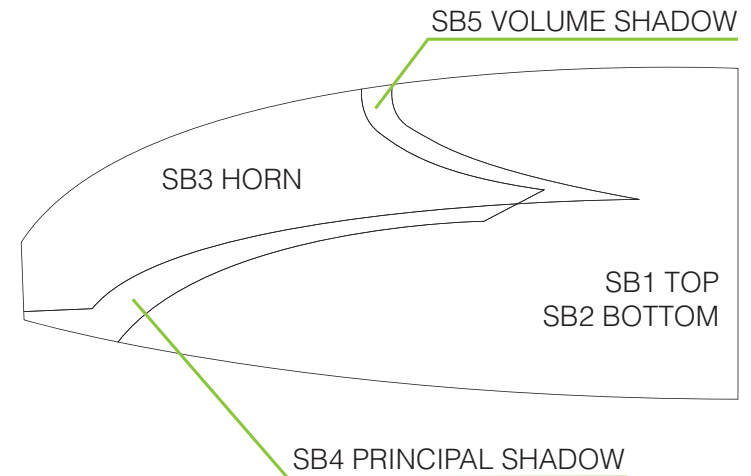
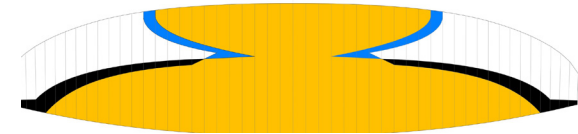


COLORS TECHNICAL DATA

MARS	SB1	DRAGON RED	MAIN TOP	REF: 636
	SB2	DRAGON RED	MAIN BOTTOM	REF: 636
	SB3	ROYAL BLUE	HORN	REF: 317
	SB4	WHITE	PRINCIPAL SHADOW	REF: 001
	SB5	BLACK	VOLUME SHADOW	REF: 102



WARRIOR	SB1	GOLD	MAIN TOP	REF: 939
	SB2	GOLD	MAIN BOTTOM	REF: 939
	SB3	WHITE	HORN	REF: 001
	SB4	BLACK	PRINCIPAL SHADOW	REF: 102
	SB5	ROYAL BLUE	VOLUME SHADOW	REF: 317



WING LOAD TECHNICAL DATA

E-GRAVITY

19		21		23	
P.T.V.	KG/M2	P.T.V.	KG/M2	P.T.V.	KG/M2
60	= 3,16	75	= 3,57	90	= 3,91
61	= 3,21	76	= 3,62	91	= 3,96
62	= 3,26	77	= 3,67	92	= 4,00
63	= 3,32	78	= 3,71	93	= 4,04
64	= 3,37	79	= 3,76	94	= 4,09
65	= 3,42	80	= 3,81	95	= 4,13
66	= 3,47	81	= 3,86	96	= 4,17
67	= 3,53	82	= 3,90	97	= 4,22
68	= 3,58	83	= 3,95	98	= 4,26
69	= 3,63	84	= 4,00	99	= 4,30
70	= 3,68	85	= 4,05	100	= 4,35
71	= 3,74	86	= 4,10	101	= 4,39
72	= 3,79	87	= 4,14	102	= 4,43
73	= 3,84	88	= 4,19	103	= 4,48
74	= 3,89	89	= 4,24	104	= 4,52
<b>75</b>	<b>= 3,95</b>	90	= 4,29	105	= 4,57
76	= 4,00	91	= 4,33	106	= 4,61
77	= 4,05	92	= 4,38	107	= 4,65
78	= 4,11	93	= 4,43	108	= 4,70
79	= 4,16	94	= 4,48	109	= 4,74
80	= 4,21	95	= 4,52	110	= 4,78

**LINES TECHNICAL DATA**

E-GRAVITY					19																			
REF.	MAT.	KG	COLOR	m/m	REF.	MAT.	KG	COLOR	m/m	REF.	MAT.	KG	COLOR	m/m	REF.	MAT.	KG	COLOR	m/m	REF.	MAT.	KG	COLOR	m/m
A					B					C					D					BRAKE				
A1	TNL	80	GREEN	307	B1	TNL	80	BLUE	306	C1	TNL	80	BLUE	309	D1	TNL	80	BLUE	310	BR1	TNL	80	RED	995
A2	TNL	80	GREEN	263	B2	TNL	80	BLUE	262	C2	TNL	80	BLUE	259	D2	TNL	80	BLUE	262	BR2	TNL	80	RED	825
A3	TNL	80	GREEN	275	B3	TNL	80	BLUE	274	C3	TNL	80	BLUE	274	D3	TNL	80	BLUE	276	BR3	TNL	80	RED	896
A4	TNL	80	GREEN	297	B4	TNL	80	BLUE	295	C4	TNL	80	BLUE	296	D4	TNL	80	BLUE	298	BR4	TNL	80	RED	876
A5	TNL	80	GREEN	291	B5	TNL	80	BLUE	288	C5	TNL	80	BLUE	291	D5	TNL	80	BLUE	293	BR5	TNL	80	RED	852
A6	TNL	80	GREEN	267	B6	TNL	80	BLUE	265	C6	TNL	80	BLUE	262	D6	TNL	80	BLUE	262	BR6	TNL	80	RED	785
A7	TNL	80	GREEN	256	B7	TNL	80	BLUE	251	C7	TNL	80	BLUE	249	D7	TNL	80	BLUE	252	BR7	TNL	80	RED	733
A8	TNL	80	GREEN	279	B8	TNL	80	BLUE	275	C8	TNL	80	BLUE	274	D8	TNL	80	BLUE	275	BR8	TNL	80	RED	772
A9	TNL	80	GREEN	303	B9	TNL	80	BLUE	292	C9	TNL	80	BLUE	288	D9	TNL	80	BLUE	290	BR9	TNL	80	RED	696
A10	TNL	80	GREEN	258	B10	TNL	80	BLUE	250	C10	TNL	80	BLUE	242	D10	TNL	80	BLUE	240	BR10	TNL	80	RED	628
A11	TNL	80	GREEN	295	B11	TNL	80	BLUE	275	C11	TNL	80	BLUE	263	D11	TNL	80	BLUE	262	BR11	TNL	80	RED	1283
A12	TNL	80	GREEN	258	B12	TNL	80	BLUE	242	C12	TNL	80	BLUE	230	d12	TNL	80	BLUE	225					
A13	TNL	80	GREEN	1925						C13	TNL	80	BLUE	1.900										
2A1	TNL	140	GREEN	1.924	2B1	TNL	140	BLUE	1.913	2C1	TNL	140	BLUE	1.755	2D1	TNL	140	BLUE	1.768	2BR1	TNL	80	RED	1361
2A2	TNL	140	GREEN	1.889	2B2	TNL	140	BLUE	1.879	2C2	TNL	140	BLUE	1.710	2D2	TNL	140	BLUE	1.726	2BR2	TNL	80	RED	1139
2A3	TNL	140	GREEN	1.848	2B3	TNL	140	BLUE	1.825	2C3	TNL	140	BLUE	1.663	2D3	TNL	140	BLUE	1.677	2BR3	TNL	80	RED	903
2A4	TNL	140	GREEN	1.855	2B4	TNL	140	BLUE	1.837	2C4	TNL	140	BLUE	1.665	2D4	TNL	140	BLUE	1.670	2BR4	TNL	80	RED	944
2A5	TNL	140	GREEN	1.916	2B5	TNL	140	BLUE	1.826	2C5	TNL	80	BLUE	1.597	2D5	TNL	80	BLUE	1.654	2BR5	TNL	80	RED	974
2A6	TNL	140	GREEN	1.712	2B6	TNL	140	BLUE	1.648	2C6	TNL	80	BLUE	1.418	2D6	TNL	80	BLUE	1.464					
										ST1	TNL	80	RED	1.804										
										ST2	TNL	80	RED	1.800										
										ST3	TNL	80	RED	1.821						3BR1	TNL	80	RED	2197
										STMAIN	TNL	140	RED	3.204						3BR2	TNL	80	RED	2354
																				3BR3	TNL	80	RED	2339
3A1	TNL	280	GREEN	3.562	3B1	TNL	280	BLUE	3.511	3C1	TNL	220	BLUE	3.709	3D1	TNL	220	blue	3.810	BRMAIN	TNL	400	RED	2053
3A2	TNL	220	GREEN	3.606	3B2	TNL	220	BLUE	3.546	3C2	TNL	220	BLUE	3.735	3D2	TNL	220	blue	3.824	POINT AT				1853
3A3	TNL	220	GREEN	3402	3B3	TNL	220	BLUE	3441	3C3	TNL	220	BLUE	3693										

**LINES TECHNICAL DATA**

E-GRAVITY					21																			
REF.	MAT.	KG	COLOR	m/m	REF.	MAT.	KG	COLOR	m/m	REF.	MAT.	KG	COLOR	m/m	REF.	MAT.	KG	COLOR	m/m	REF.	MAT.	KG	COLOR	m/m
A					B					C					D					BRAKE				
A1	TNL	80	GREEN	323	B1	TNL	80	BLUE	322	C1	TNL	80	BLUE	324	D1	TNL	80	BLUE	326	BR1	TNL	80	RED	1045
A2	TNL	80	GREEN	277	B2	TNL	80	BLUE	276	C2	TNL	80	BLUE	273	D2	TNL	80	BLUE	276	BR2	TNL	80	RED	867
A3	TNL	80	GREEN	289	B3	TNL	80	BLUE	288	C3	TNL	80	BLUE	288	D3	TNL	80	BLUE	290	BR3	TNL	80	RED	942
A4	TNL	80	GREEN	312	B4	TNL	80	BLUE	310	C4	TNL	80	BLUE	312	D4	TNL	80	BLUE	314	BR4	TNL	80	RED	921
A5	TNL	80	GREEN	306	B5	TNL	80	BLUE	303	C5	TNL	80	BLUE	305	D5	TNL	80	BLUE	308	BR5	TNL	80	RED	896
A6	TNL	80	GREEN	281	B6	TNL	80	BLUE	279	C6	TNL	80	BLUE	275	D6	TNL	80	BLUE	276	BR6	TNL	80	RED	825
A7	TNL	80	GREEN	269	B7	TNL	80	BLUE	263	C7	TNL	80	BLUE	261	D7	TNL	80	BLUE	264	BR7	TNL	80	RED	770
A8	TNL	80	GREEN	294	B8	TNL	80	BLUE	289	C8	TNL	80	BLUE	288	D8	TNL	80	BLUE	289	BR8	TNL	80	RED	812
A9	TNL	80	GREEN	319	B9	TNL	80	BLUE	307	C9	TNL	80	BLUE	303	D9	TNL	80	BLUE	304	BR9	TNL	80	RED	731
A10	TNL	80	GREEN	272	B10	TNL	80	BLUE	263	C10	TNL	80	BLUE	254	D10	TNL	80	BLUE	252	BR10	TNL	80	RED	661
A11	TNL	80	GREEN	310	B11	TNL	80	BLUE	289	C11	TNL	80	BLUE	277	D11	TNL	80	BLUE	275	BR11	TNL	80	RED	1370
A12	TNL	80	GREEN	271	B12	TNL	80	BLUE	254	C12	TNL	80	BLUE	242	D12	TNL	80	BLUE	237					
A13	TNL	80	GREEN	2024						C13	TNL	80	BLUE	1.997										
2A1	TNL	140	GREEN	2.021	2B1	TNL	140	BLUE	2.010	2C1	TNL	140	BLUE	1.844	2D1	TNL	140	BLUE	1.858	2BR1	TNL	80	RED	1430
2A2	TNL	140	GREEN	1.988	2B2	TNL	140	BLUE	1.977	2C2	TNL	140	BLUE	1.799	2D2	TNL	140	BLUE	1.816	2BR2	TNL	80	RED	1199
2A3	TNL	140	GREEN	1.942	2B3	TNL	140	BLUE	1.918	2C3	TNL	140	BLUE	1.747	2D3	TNL	140	BLUE	1.763	2BR3	TNL	80	RED	949
2A4	TNL	140	GREEN	1.950	2B4	TNL	140	BLUE	1.932	2C4	TNL	140	BLUE	1.751	2D4	TNL	140	BLUE	1.756	2BR4	TNL	80	RED	994
2A5	TNL	140	GREEN	2.014	2B5	TNL	140	BLUE	1.919	2C5	TNL	80	BLUE	1.679	2D5	TNL	80	BLUE	1.738	2BR5	TNL	80	RED	1024
2A6	TNL	140	GREEN	1.800	2B6	TNL	140	BLUE	1.733	2C6	TNL	80	BLUE	1.491	2D6	TNL	80	BLUE	1.538					
										ST1	TNL	80	RED	1.897										
										ST2	TNL	80	RED	1.892										
										ST3	TNL	80	RED	1.915						3BR1	TNL	80	RED	2308
										STMAIN	TNL	140	RED	3.411						3BR2	TNL	80	RED	2476
																				3BR3	TNL	80	RED	2461
3A1	TNL	280	GREEN	3.796	3B1	TNL	280	BLUE	3.729	3C1	TNL	220	BLUE	3.937	3D1	TNL	220	BLUE	4.042	BRMAIN	TNL	400	RED	2178
3A2	TNL	220	GREEN	3.838	3B2	TNL	220	BLUE	3.771	3C2	TNL	220	BLUE	3.968	3D2	TNL	220	BLUE	4.051	POINT AT				1978
3A3	TNL	220	GREEN	3625	3B3	TNL	220	BLUE	3662	3C3	TNL	220	BLUE	3927										



**LINES TECHNICAL DATA**

E-GRAVITY					23																			
REF.	MAT.	KG	COLOR	m/m	REF.	MAT.	KG	COLOR	m/m	REF.	MAT.	KG	COLOR	m/m	REF.	MAT.	KG	COLOR	m/m	REF.	MAT.	KG	COLOR	m/m
A					B					C					D					BRAKE				
A1	TNL	80	GREEN	338	B1	TNL	80	BLUE	336	C1	TNL	80	BLUE	339	D1	TNL	80	BLUE	341	BR1	TNL	80	RED	1094
A2	TNL	80	GREEN	291	B2	TNL	80	BLUE	289	C2	TNL	80	BLUE	286	D2	TNL	80	BLUE	289	BR2	TNL	80	RED	908
A3	TNL	80	GREEN	302	B3	TNL	80	BLUE	301	C3	TNL	80	BLUE	301	D3	TNL	80	BLUE	303	BR3	TNL	80	RED	985
A4	TNL	80	GREEN	327	B4	TNL	80	BLUE	325	C4	TNL	80	BLUE	326	D4	TNL	80	BLUE	329	BR4	TNL	80	RED	964
A5	TNL	80	GREEN	320	B5	TNL	80	BLUE	317	C5	TNL	80	BLUE	319	D5	TNL	80	BLUE	322	BR5	TNL	80	RED	937
A6	TNL	80	GREEN	295	B6	TNL	80	BLUE	292	C6	TNL	80	BLUE	288	D6	TNL	80	BLUE	289	BR6	TNL	80	RED	864
A7	TNL	80	GREEN	281	B7	TNL	80	BLUE	275	C7	TNL	80	BLUE	273	D7	TNL	80	BLUE	277	BR7	TNL	80	RED	805
A8	TNL	80	GREEN	307	B8	TNL	80	BLUE	303	C8	TNL	80	BLUE	302	D8	TNL	80	BLUE	303	BR8	TNL	80	RED	850
A9	TNL	80	GREEN	334	B9	TNL	80	BLUE	321	C9	TNL	80	BLUE	317	D9	TNL	80	BLUE	319	BR9	TNL	80	RED	765
A10	TNL	80	GREEN	284	B10	TNL	80	BLUE	276	C10	TNL	80	BLUE	266	D10	TNL	80	BLUE	264	BR10	TNL	80	RED	692
A11	TNL	80	GREEN	324	B11	TNL	80	BLUE	302	C11	TNL	80	BLUE	290	D11	TNL	80	BLUE	288	BR11	TNL	80	RED	1413
A12	TNL	80	GREEN	284	B12	TNL	80	BLUE	266	C12	TNL	80	BLUE	253	D12	TNL	80	BLUE	248					
A13	TNL	80	GREEN	2118						C13	TNL	80	BLUE	2.090										
2A1	TNL	140	GREEN	2.114	2B1	TNL	140	BLUE	2.102	2C1	TNL	140	BLUE	1.929	2D1	TNL	140	BLUE	1.943	2BR1	TNL	80	RED	1496
2A2	TNL	140	GREEN	2.082	2B2	TNL	140	BLUE	2.071	2C2	TNL	140	BLUE	1.885	2D2	TNL	140	BLUE	1.902	2BR2	TNL	80	RED	1256
2A3	TNL	140	GREEN	2.032	2B3	TNL	140	BLUE	2.006	2C3	TNL	140	BLUE	1.828	2D3	TNL	140	BLUE	1.844	2BR3	TNL	80	RED	992
2A4	TNL	140	GREEN	2.042	2B4	TNL	140	BLUE	2.023	2C4	TNL	140	BLUE	1.833	2D4	TNL	140	BLUE	1.839	2BR4	TNL	80	RED	1041
2A5	TNL	140	GREEN	2.108	2B5	TNL	140	BLUE	2.009	2C5	TNL	80	BLUE	1.757	2D5	TNL	80	BLUE	1.818	2BR5	TNL	80	RED	1071
2A6	TNL	140	GREEN	1.884	2B6	TNL	140	BLUE	1.814	2C6	TNL	80	BLUE	1.561	2D6	TNL	80	BLUE	1.609					
										ST1	TNL	80	RED	1.985										
										ST2	TNL	80	RED	1.981										
										ST3	TNL	80	RED	2.005						3BR1	TNL	80	RED	2414
										STMAIN	TNL	140	RED	3.610						3BR2	TNL	80	RED	2593
																				3BR3	TNL	80	RED	2576
3A1	TNL	280	GREEN	3.996	3B1	TNL	280	BLUE	3.927	3C1	TNL	220	BLUE	4.145	3D1	TNL	220	BLUE	4.254	BRMAIN	TNL	400	RED	2297
3A2	TNL	220	GREEN	4.044	3B2	TNL	220	BLUE	3.975	3C2	TNL	220	BLUE	4.182	3D2	TNL	220	BLUE	4.267	POINT AT				2097
3A3	TNL	220	GREEN	3824	3B3	TNL	220	BLUE	3863	3C3	TNL	220	BLUE	4140										

NIVIUK E-GRAVITY 19

LINES HEIGHT m/m

	A	B	C	D	br
1	5778	5715	5758	5873	6396
2	5734	5671	5708	5825	6226
3	5711	5649	5678	5797	6075
4	5733	5670	5700	5819	6055
5	5730	5644	5674	5779	5952
6	5706	5621	5645	5748	5885
7	5702	5619	5634	5731	5874
8	5725	5643	5659	5754	5913
9	5606	5544	5563	5622	5852
10	5561	5502	5517	5572	5784
11	5394	5349	5359	5404	5465
12	5357	5316	5326	5367	
13	5114	4989	5089		
14	4993		5010		

RISERS LENGHT m/m

A	A'	B	C	D	
470	470	470	470	470	STANDARD
370	370	400	435	470	ACCELERATED

NIVIUK E-GRAVITY 21

LINES HEIGHT m/m

	A	B	C	D	br
1	6125	6046	6090	6211	6786
2	6079	6000	6039	6161	6608
3	6058	5979	6009	6133	6452
4	6081	6001	6033	6157	6431
5	6071	5977	6005	6107	6324
6	6046	5953	5975	6075	6253
7	6042	5951	5965	6056	6243
8	6067	5977	5992	6081	6285
9	5943	5873	5894	5954	6219
10	5896	5829	5845	5902	6149
11	5720	5669	5680	5725	5834
12	5681	5634	5645	5687	
13	5420	5288	5393		
14	5293		5311		

RISERS LENGHT m/m

A	A'	B	C	D	
470	470	470	470	470	STANDARD
370	370	400	435	470	ACCELERATED

LINES HEIGHT m/m

	A	B	C	D	br
1	6433	6350	6398	6523	7126
2	6386	6303	6345	6471	6940
3	6365	6284	6316	6444	6777
4	6390	6308	6341	6470	6756
5	6381	6283	6314	6418	6644
6	6356	6258	6283	6385	6571
7	6352	6258	6273	6368	6561
8	6378	6286	6302	6394	6606
9	6251	6178	6199	6262	6534
10	6201	6133	6148	6207	6461
11	6017	5964	5976	6022	6111
12	5977	5928	5939	5982	
13	5713	5576	5685		
14	5580		5600		

RISERS LENGHT m/m

A	A'	B	C	D	
470	470	470	470	470	STANDARD
370	370	400	435	470	ACCELERATED

**SUSPENSION TECHNICAL DATA**

**E-GRAVITY**

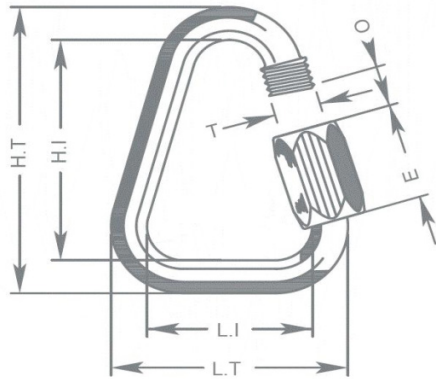
MATERIAL CODE		TNL	TNL	TNL	TNL	TNL
STRENGTH CODE		080	140	220	280	400
DIAMETER m/m	Ø	1,1	1,4	1,6	1,8	2,3
CORE MATERIAL		TECHNORA	TECHNORA	TECHNORA	TECHNORA	TECHNORA
SLEEVE MATERIAL		POLYESTER	POLYESTER	POLYESTER	POLYESTER	POLYESTER
WEIGHT G/M	TOTAL	1,1	1,96	2,35	2,7	4
BREAKING STRENGTH	MINIMUM	80	140	220	280	314
	MAXIMUM	92	160	250	320	360
STRENGTH AFTER						
5.000 BENDING	TEST EN	36,7	76,1	114,2	134,7	184,4
CYCLES						
ELONGATION AT	5 DAN EN %	0,3	0,2	0,2	0,2	0,05
	10 daN en %	0,5	0,3	0,3	0,3	0,1
	15 DAN EN %	0,7	0,5	0,5	0,4	0,2
	20 DAN EN %	1	0,6	0,6	0,4	0,2
	25 DAN EN %	1,3	0,8	0,7	0,5	0,3
	30 DAN EN %	2,3	1,5	1,2	0,9	0,6
	75 DAN EN %	2,8	2,3	1,8	1,3	0,8
	100 DAN EN %		2,7	2,2	1,7	1,1
	125 daN en %		3,2	2,7	2	1,4
	150 DAN EN %			3	2,3	1,7
	175 DAN EN %			3,3	2,7	2
	200 DAN EN %			3,8	2,8	2,2
	250 DAN EN %					
ELONGATION MAX. BREAKING STRENGTH %		3	3,4	4	4,1	4,6

**MAILLON 1 TECHNICAL DATA**

**DESCRIPTION**

MAILLON	DELTA
CODE	MRI4
MATERIAL	STAINLESS STEEL
SIZE	4,3 m/m
WEIGHT	12 G/PIECE
QUANTITY	8 PIECES
INSERTS	2 GREEN / 6 BLACK

**TECHNICAL SPECIFICATIONS**



DIMENSIONS	m/m
L.T.	28
L.I.	20
H.T.	38
H.I.	30
O	4
E	11
T	4
LOAD	KG
WORKING LIMIT	150
BREAKING	750

**MATERIAL**

AISI 304 STAINLESS STEEL STANDARD

CLOSING APPLIED BY MANUAL & ENTIRE SCREWING OF THE NUT  
TO GUARANTEE THE HIGHEST SAFETY (NO THREAD SHOULD BE OBVIOUS)

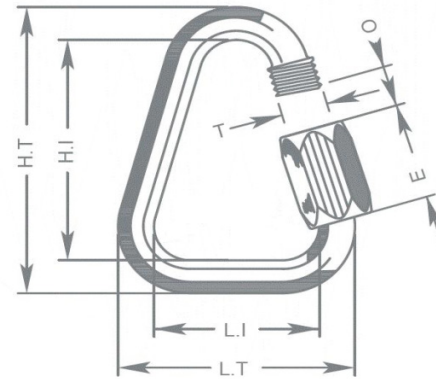
SYSTEMATIC CONTROL OF MAILLON QUICK-LINKS BEFORE EVERY FLIGHT

**MAILLON 2 TECHNICAL DATA**

**DESCRIPTION**

MAILLON	DELTA
CODE	3.5
MATERIAL	STAINLESS STEEL
SIZE	3 m/m
WEIGHT	5 G/PIECE
QUANTITY	2 PIECES
INSERTS	2 GREEN

**TECHNICAL SPECIFICATIONS**



DIMENSIONS	m/m
L.T.	22
L.I.	14
H.T.	37
H.I.	29
O	5
E	12
T	4
LOAD	KG
WORKING LIMIT	110
BREAKING	550

**MATERIAL**

AISI 304 STAINLESS STEEL STANDARD

CLOSING APPLIED BY MANUAL & ENTIRE SCREWING OF THE NUT  
TO GUARANTEE THE HIGHEST SAFETY (NO THREAD SHOULD BE OBVIOUS)

SYSTEMATIC CONTROL OF MAILLON QUICK-LINKS BEFORE EVERY FLIGHT

**THREAD TECHNICAL DATA****SAIL MAKING**

NAME	SERAFIL
N° OF REFERENCE	60
MATERIAL	POLYESTER
TYPE OF FINISH	SILK
LINEAR DENSITY	NM 61 / 3 (DTEX 163 * 3)
BREAKING STRENGTH	3,000 CN
ELONGATION	17,00%

**SERAFIL PROPERTIES**

SOLIDITY ARTIFICIAL LIGTH	ISO 105 B02 > 5 - 6
SOLIDITY SWEAT	ISO 105 E04 > 4
SOLIDITY WASHING	ISO 105 C04 > 3
SOLIDITY GRAZE IN DRY	ISO 105 X12 > 4
SOLIDITY WASHING IN DRY	ISO 105 D01 > 3 - 4

TREATMENT WATER REPELLENT	WR
---------------------------	----

**RISERS MAKING**

NAME	COATS BONDED C.F.P.
N° OF REFERENCE	V138
MATERIAL	POLYESTER
TYPE OF FINISH	SILK
BREAKING STRENGTH	9,5 KG
ELONGATION	19%

**RISERS TECHNICAL DATA****RISERS**

N° OF REFERENCE	WD103
MATERIAL	POLYESTER & TECHNORA
WIDTH	19 M/M
THICKNESS	1,6 M/M
BREAKING STRENGTH	850 KG
ELONGATION	MAX. 12%
WEIGHT	23 G/M
COLOR	BLACK

**COLOR INDICATOR**

N° OF REFERENCE	IC-G 1-2
MATERIAL	POLYESTER
WIDTH	70 M/M
THICKNESS	0,80 M/M
BREAKING STRENGTH	130 DN
ELONGATION	35 %
WEIGHT	32 G * L.M.
COLOR	GREEN

**LOOPS**

N° OF REFERENCE	LKI - 10
MATERIAL	NYLON
WIDTH	10 M/M
BREAKING STRENGTH	84 KG
ELONGATION	30 %
WEIGHT	5,5 G/M
COLOR	WHITE

