

# **TECHNICAL SPECIFICATIONS DOBERMANN 2**



**TECHNICAL DATA**

<b>DOBERMANN 2</b>			<b>15</b>	<b>16</b>	<b>17</b>	<b>18</b>	<b>19</b>	<b>20</b>
CELLS	NUMBER		60	60	60	60	60	60
	CLOSED		16	16	16	16	16	16
	BOX		23	23	23	23	23	23
FLAT	AREA	m <sup>2</sup>	14,5	16	17	18	19	20
	SPAN	m	9,25	9,72	10,02	10,31	10,59	10,86
	ASPECT RATIO		5,9	5,9	5,9	5,9	5,9	5,9
PROJECTED	AREA	m <sup>2</sup>	12,34	13,61	14,46	15,31	16,16	17,01
	SPAN	m	7,45	7,83	8,1	8,3	8,53	8,75
	ASPECT RATIO		4,5	4,5	4,5	4,5	4,5	4,5
FLATTENING		%	15	15	15	15	15	15
CORD	MAXIMUM	m	1,91	2,01	2,07	2,13	2,19	2,24
	MINIMUM	m	0,46	0,48	0,5	0,51	0,53	0,54
	AVERAGE	m	1,57	1,65	1,70	1,75	1,79	1,84
LINES	TOTAL METERS	m	257	271	280	289	297	305
	HEIGHT	m	5,72	6,01	6,19	6,37	6,55	6,72
	NUMBER		178	178	178	178	178	178
	MAIN		2+1/4/3/1	2+1/4/3/1	2+1/4/3/1	2+1/4/3/1	2+1/4/3/1	2+1/4/3/1
RISERS	NUMBER	4	A+A'/B/C/D	A+A'/B/C/D	A+A'/B/C/D	A+A'/B/C/D	A+A'/B/C/D	A+A'/B/C/D
	TRIMS	m/m	150	150	150	150	150	150
	ACCELERATOR	m/m	180	180	180	180	180	180
	COURSE CORRECTION		YES	YES	YES	YES	YES	YES
INTERMEDIATE WEIGHT	MINIMUM	kg	60	65	70	75	80	85
IN FLIGHT	MAXIMUM	kg	95	105	115	125	135	145
GLIDER WEIGHT		kg	3,8	4,1	4,3	4,5	4,65	4,8
CERTIFICATION	8G MAXIMUM 148 KG		EN 926-1	EN 926-1	EN 926-1	EN 926-1	EN 926-1	EN 926-1
	5,25G MAXIMUM 225 KG		DGAC	DGAC	DGAC	DGAC	DGAC	DGAC

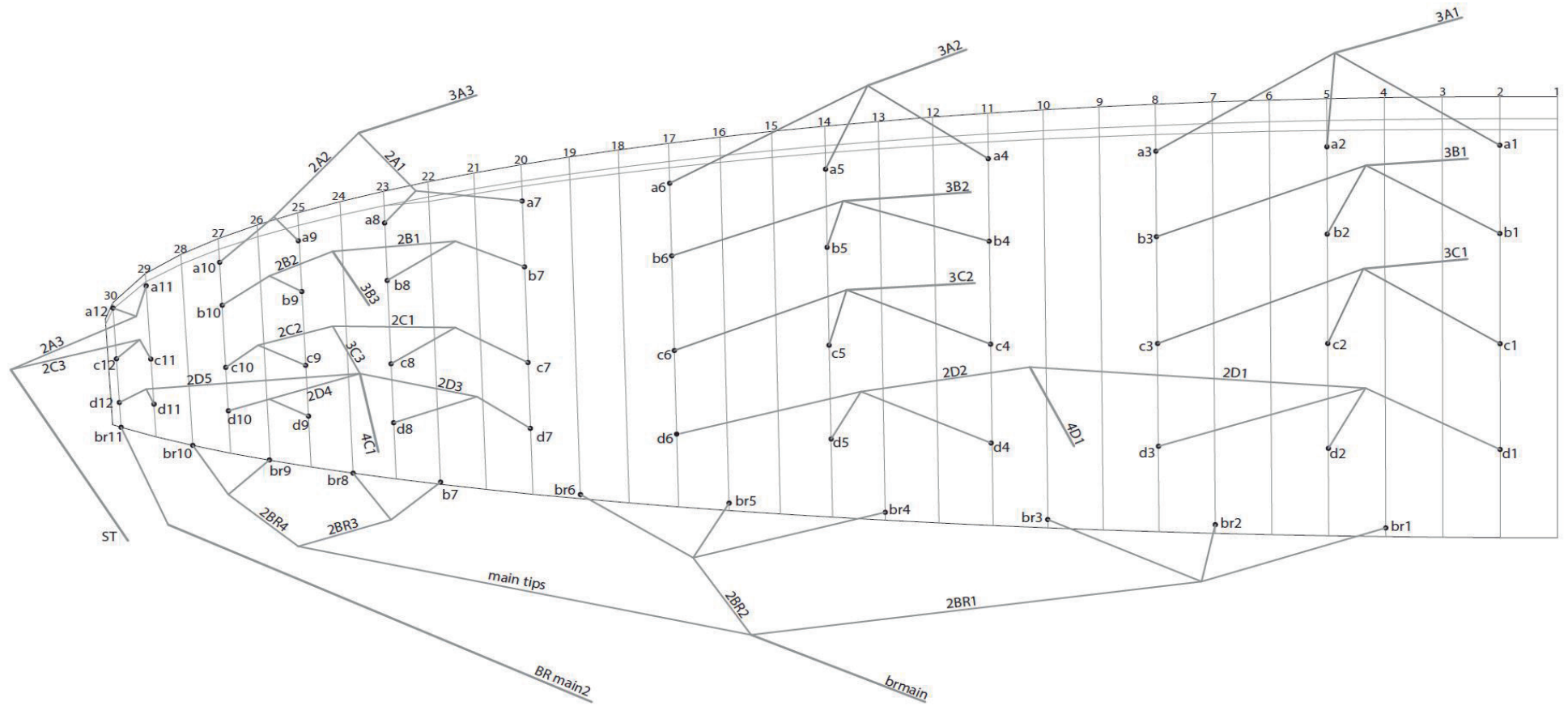
**MATERIALS TECHNICAL DATA**

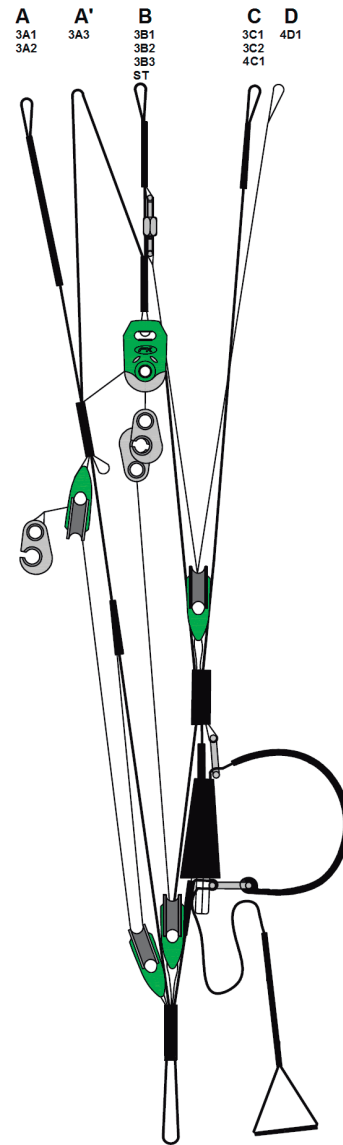
<b>CANOPY</b>	<b>FABRIC CODE</b>	<b>SUPPLIER</b>
UPPER SURFACE	9017 E25	PORCHER IND (FRANCE)
BOTTOM SURFACE	N 20 DMF	DOMINICO TEX CO
PROFILES	9017 E29	PORCHER IND (FRANCE)
DIAGONALS	9017 E29	PORCHER IND (FRANCE)
LOOPS	LKI - 10	KOLON IND. (KOREA)
REINFORCEMENT LOOPS	W-420	D-P (GERMANY)
TRAILING EDGE REINFORCEMENT	MYLAR	D-P (GERMANY)
RIB REINFORCEMENT	LTN-0.8 STICK	SPORTWARE CO.CHINA
THREAD	SERAFIL 60	AMAN (GERMANY)

<b>SUSPENSION LINES</b>	<b>FABRIC CODE</b>	<b>SUPPLIER</b>
UPPER CASCADES	16330	COUSIN (FRANCE)
UPPER CASCADES	12240	COUSIN (FRANCE)
UPPER CASCADES	16140	COUSIN (FRANCE)
UPPER CASCADES	DC - 40	LIROS GMHB (GERMANY)
UPPER CASCADES	DC - 60	LIROS GMHB (GERMANY)
UPPER CASCADES	DC - 100	LIROS GMHB (GERMANY)
MIDDLE CASCADES	16330	COUSIN (FRANCE)
MIDDLE CASCADES	12240	COUSIN (FRANCE)
MIDDLE CASCADES	16140	COUSIN (FRANCE)
MIDDLE CASCADES	TNL - 80	TEIJIM LIMITED (JAPAN)
MAIN	12950	COUSIN (FRANCE)
MAIN	16560	COUSIN (FRANCE)
MAIN	16330	COUSIN (FRANCE)
MAIN	12240	COUSIN (FRANCE)
MAIN	12470	COUSIN (FRANCE)
MAIN BREAK	TNL - 280	TEIJIM LIMITED (JAPAN)
THREAD	SERAFIL 60	AMAN (GERMANY)

<b>RISERS</b>	<b>FABRIC CODE</b>	<b>SUPPLIER</b>
MATERIAL	WD103	COUSIN (FRANCE)
COLOR INDICATOR	PAD	TECNI SANGLES (FRANCE)
THREAD	V138	COATS (ENGLAND)
MAILLONS	MR14	ANSUNG PRECISION (KOREA)
PULLEYS	RF25109	RONSTAN (AUSTRALIA)

SUSPENSION PLAN



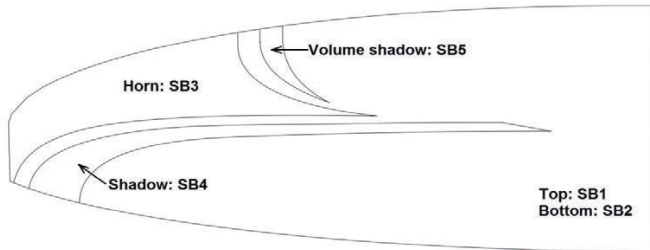


**COLOURS TECHNICAL DATA**

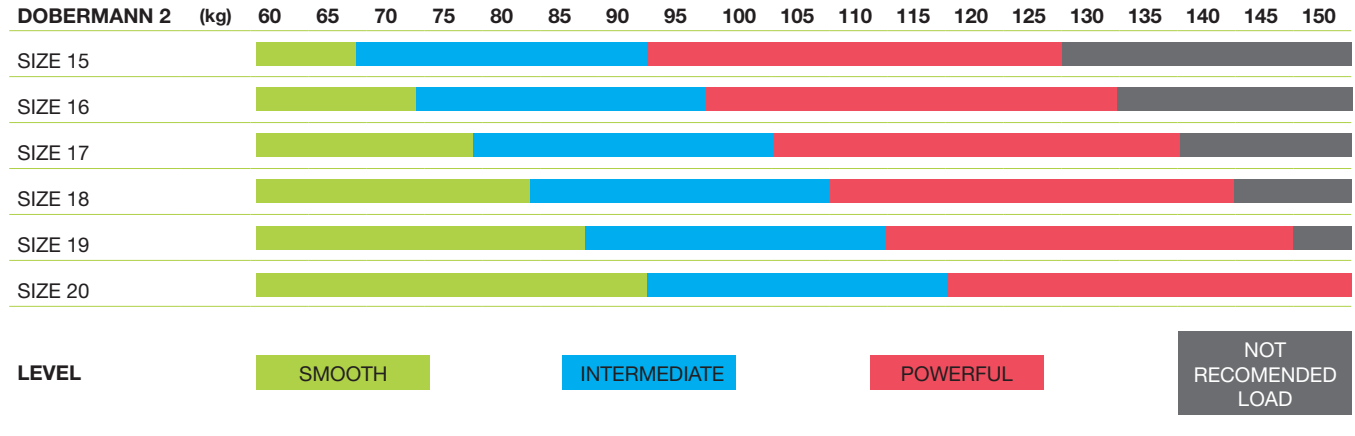
<b>MAYA</b>	SB1	GOLD	TOP	REF: 939
	SB2	GOLD	BOTTOM	REF: 939
	SB3	BLACK	HORN	REF: 102
	SB4	DRAGON RED	SHADOW	REF: 636
	SB5	WHITE	VOLUME SHADOW	REF: 001



<b>EMERALD</b>	SB1	LIMA	TOP	REF: 300
	SB2	LIMA	BOTTOM	REF: 300
	SB3	ROYAL BLUE	HORN	REF: 317
	SB4	BLACK	SHADOW	REF: 102
	SB5	WHITE	VOLUME SHADOW	REF: 001



**LEVEL RANGE**



LINES TECHNICAL DATA

DOBERMANN 2 15

REF.	MAT.	KG	COLOUR	m/m	REF.	MAT.	KG	COLOUR	m/m	REF.	MAT.	KG	COLOUR	m/m	REF.	MAT.	KG	COLOUR	m/m					
A					B					C					D					BRAKE				
a1	16330	145	ORG	2237	b1	12240	115	ORG	2213	c1	12240	115	ORG	2090	d1	16140	70	ORG	1660	br1	DC	40	WHT	1.490
a2	16330	145	ORG	2158	b2	12240	115	ORG	2135	c2	12240	115	ORG	2001	d2	16140	70	ORG	1489	br2	DC	40	WHT	1.322
a3	16330	145	ORG	2157	b3	12240	115	ORG	2133	c3	12240	115	ORG	1999	d3	16140	70	ORG	1448	br3	DC	40	WHT	1.293
a4	16330	145	ORG	2055	b4	12240	115	ORG	2024	c4	12240	115	ORG	1912	d4	16140	70	ORG	1415	br4	DC	40	WHT	1.277
a5	16330	145	ORG	1983	b5	12240	115	ORG	1956	c5	12240	115	ORG	1835	d5	16140	70	ORG	1394	br5	DC	40	WHT	1.188
a6	16330	145	ORG	1961	b6	12240	115	ORG	1939	c6	12240	115	ORG	1819	d6	16140	70	ORG	1470	br6	DC	40	WHT	1.195
a7	DC	100	WHT	911	b7	DC	100	WHT	898	c7	DC	60	WHT	846	d7	DC	60	WHT	803	br7	DC	40	WHT	462
a8	DC	60	WHT	799	b8	DC	60	WHT	788	c8	DC	60	WHT	707	d8	DC	60	WHT	683	br8	DC	40	WHT	394
a9	DC	60	WHT	522	b9	DC	60	WHT	515	c9	DC	60	WHT	459	d9	DC	60	WHT	453	br9	DC	40	WHT	264
a10	DC	60	WHT	514	b10	DC	60	WHT	511	c10	DC	60	WHT	491	d10	DC	60	WHT	438	br10	DC	40	WHT	291
a11	DC	60	WHT	267						c11	DC	60	WHT	264	d11	DC	60	WHT	236	br11	DC	40	WHT	2113
a12	DC	60	WHT	244						c12	DC	40	WHT	239	d12	DC	40	WHT	259					
2A1	16330	145	ORG	640	2B1	12240	115	ORG	581	2C1	16140	70	ORG	178	2D1	12240	115	ORG	1206	2BR1	TNL	80	RED	2500
2A2	12240	115	ORG	869	2B2	16140	70	ORG	809	2C2	16140	70	ORG	404	2D2	12240	115	ORG	1207	2BR2	TNL	80	RED	2458
2A3	16140	70	ORG	544						2C3	16140	70	ORG	535	2D3	16140	70	ORG	690	2BR3	TNL	80	RED	482
															2D4	16140	70	ORG	858	2BR4	TNL	80	RED	440
															2D5	16140	70	ORG	1051	MAIN TIPS	TNL	80	RED	2979
3A1	12950	405	ORG	2929	3B1	16560	240	ORG	2897	3C1	16560	240	ORG	3079	4D1	16560	240	ORG	2522	BR MAIN2	TNL	80	RED	2750
3A2	12950	405	ORG	2994	3B2	16560	240	ORG	2970	3C2	16560	240	ORG	3123										KNOT POINT: 2450
3A3	16560	240	ORG	3319	3B3	16330	145	ORG	3357	3C3	12240	115	ORG	420						BRMAIN	TNL	280	RED	1505
					ST	12240	115	ORG	3726	4C1	12470	200	ORG	3439										KNOT POINT: 1205



LINES TECHNICAL DATA

DOBERMANN 2 16

REF.	MAT.	KG	COLOUR	m/m	REF.	MAT.	KG	COLOUR	m/m	REF.	MAT.	KG	COLOUR	m/m	REF.	MAT.	KG	COLOUR	m/m					
A					B					C					D					BRAKE				
a1	16330	145	ORG	2348	b1	12240	115	ORG	2324	c1	12240	115	ORG	2194	d1	16140	70	ORG	1743	br1	DC	40	WHT	2077
a2	16330	145	ORG	2268	b2	12240	115	ORG	2243	c2	12240	115	ORG	2103	d2	16140	70	ORG	1565	br2	DC	40	WHT	1926
a3	16330	145	ORG	2268	b3	12240	115	ORG	2243	c3	12240	115	ORG	2102	d3	16140	70	ORG	1524	br3	DC	40	WHT	1909
a4	16330	145	ORG	2158	b4	12240	115	ORG	2126	c4	12240	115	ORG	2008	d4	16140	70	ORG	1487	br4	DC	40	WHT	1840
a5	16330	145	ORG	2083	b5	12240	115	ORG	2055	c5	12240	115	ORG	1928	d5	16140	70	ORG	1464	br5	DC	40	WHT	1736
a6	16330	145	ORG	2061	b6	12240	115	ORG	2038	c6	12240	115	ORG	1912	d6	16140	70	ORG	1545	br6	DC	40	WHT	1713
a7	DC	100	WHT	957	b7	DC	100	WHT	943	c7	DC	60	WHT	889	d7	DC	60	WHT	843	br7	DC	40	WHT	558
a8	DC	60	WHT	839	b8	DC	60	WHT	828	c8	DC	60	WHT	743	d8	DC	60	WHT	718	br8	DC	40	WHT	476
a9	DC	60	WHT	548	b9	DC	60	WHT	541	c9	DC	60	WHT	482	d9	DC	60	WHT	476	br9	DC	40	WHT	471
a10	DC	60	WHT	540	b10	DC	60	WHT	536	c10	DC	60	WHT	516	d10	DC	60	WHT	461	br10	DC	40	WHT	495
a11	DC	60	WHT	281						c11	DC	60	WHT	278	d11	DC	60	WHT	248	br11	DC	40	WHT	2378
a12	DC	60	WHT	256						c12	DC	40	WHT	251	d12	DC	40	WHT	272					
2A1	16330	145	ORG	673	2B1	12240	115	ORG	610	2C1	16140	70	ORG	187	2D1	12240	115	ORG	1278	2BR1	TNL	80	RED	2624
2A2	12240	115	ORG	913	2B2	16140	70	ORG	850	2C2	16140	70	ORG	424	2D2	12240	115	ORG	1283	2BR2	TNL	80	RED	2583
2A3	16140	70	ORG	571						2C3	16140	70	ORG	562	2D3	16140	70	ORG	724	2BR3	TNL	80	RED	506
															2D4	16140	70	ORG	901	2BR4	TNL	80	RED	463
															2D5	16140	70	ORG	1104	MAIN TIPS	TNL	80	RED	3134
3A1	12950	405	ORG	3102	3B1	16560	240	ORG	3068	3C1	16560	240	ORG	3259	4D1	16560	240	ORG	2663	BR MAIN2	TNL	80	RED	2750
3A2	12950	405	ORG	3174	3B2	16560	240	ORG	3150	3C2	16560	240	ORG	3310										KNOT POINT: 2450
3A3	16560	240	ORG	3518	3B3	16330	145	ORG	3557	3C3	12240	115	ORG	441						BRMAIN	TNL	280	RED	1590
					ST	12240	115	ORG	3946	4C1	12470	200	ORG	3645										KNOT POINT: 1290

LINES TECHNICAL DATA

DOBERMANN 2

17

REF.	MAT.	KG	COLOUR	m/m	REF.	MAT.	KG	COLOUR	m/m	REF.	MAT.	KG	COLOUR	m/m	REF.	MAT.	KG	COLOUR	m/m	REF.	MAT.	KG	COLOUR	m/m
A					B					C					D					BRAKE				
a1	16330	145	ORG	2420	b1	12240	115	ORG	2395	c1	12240	115	ORG	2261	d1	16140	70	ORG	1796	br1	DC	40	WHT	2140
a2	16330	145	ORG	2338	b2	12240	115	ORG	2312	c2	12240	115	ORG	2168	d2	16140	70	ORG	1613	br2	DC	40	WHT	1985
a3	16330	145	ORG	2339	b3	12240	115	ORG	2314	c3	12240	115	ORG	2169	d3	16140	70	ORG	1573	br3	DC	40	WHT	1969
a4	16330	145	ORG	2224	b4	12240	115	ORG	2191	c4	12240	115	ORG	2069	d4	16140	70	ORG	1532	br4	DC	40	WHT	1896
a5	16330	145	ORG	2148	b5	12240	115	ORG	2119	c5	12240	115	ORG	1988	d5	16140	70	ORG	1509	br5	DC	40	WHT	1790
a6	16330	145	ORG	2125	b6	12240	115	ORG	2101	c6	12240	115	ORG	1972	d6	16140	70	ORG	1592	br6	DC	40	WHT	1767
a7	DC	100	WHT	986	b7	DC	100	WHT	972	c7	DC	60	WHT	916	d7	DC	60	WHT	869	br7	DC	40	WHT	575
a8	DC	60	WHT	865	b8	DC	60	WHT	853	c8	DC	60	WHT	766	d8	DC	60	WHT	740	br8	DC	40	WHT	491
a9	DC	60	WHT	565	b9	DC	60	WHT	557	c9	DC	60	WHT	497	d9	DC	60	WHT	491	br9	DC	40	WHT	486
a10	DC	60	WHT	557	b10	DC	60	WHT	553	c10	DC	60	WHT	532	d10	DC	60	WHT	475	br10	DC	40	WHT	511
a11	DC	60	WHT	289						c11	DC	60	WHT	286	d11	DC	60	WHT	256	br11	DC	40	WHT	2548
a12	DC	60	WHT	264						c12	DC	40	WHT	259	d12	DC	40	WHT	280					
2A1	16330	145	ORG	693	2B1	12240	115	ORG	629	2C1	16140	70	ORG	193	2D1	12240	115	ORG	1324	2BR1	TNL	80	RED	2703
2A2	12240	115	ORG	941	2B2	16140	70	ORG	876	2C2	16140	70	ORG	437	2D2	12240	115	ORG	1332	2BR2	TNL	80	RED	2664
2A3	16140	70	ORG	588						2C3	16140	70	ORG	579	2D3	16140	70	ORG	746	2BR3	TNL	80	RED	522
															2D4	16140	70	ORG	929	2BR4	TNL	80	RED	477
															2D5	16140	70	ORG	1138	MAIN TIPS	TNL	80	RED	3233
3A1	12950	405	ORG	3213	3B1	16560	240	ORG	3178	3C1	16560	240	ORG	3374	4D1	16560	240	ORG	2753	BR MAIN2	TNL	80	RED	2750
3A2	12950	405	ORG	3289	3B2	16560	240	ORG	3264	3C2	16560	240	ORG	3430										KNOT POINT: 2450
3A3	16560	240	ORG	3645	3B3	16330	145	ORG	3685	3C3	12240	115	ORG	455						BRMAIN	TNL	280	RED	1644
					ST	12240	115	ORG	4087	4C1	12470	200	ORG	3776										KNOT POINT: 1344

**LINES TECHNICAL DATA**

**DOBERMANN 2 18**

REF.	MAT.	KG	COLOUR	m/m	REF.	MAT.	KG	COLOUR	m/m	REF.	MAT.	KG	COLOUR	m/m	REF.	MAT.	KG	COLOUR	m/m						
A					B					C					D					BRAKE					
a1	16330	145	ORG	2489	b1	12240	115	ORG	2463	c1	12240	115	ORG	2326	d1	16140	70	ORG	1848	br1	DC	40	WHT	2201	
a2	16330	145	ORG	2406	b2	12240	115	ORG	2379	c2	12240	115	ORG	2231	d2	16140	70	ORG	1661		br2	DC	40	WHT	2043
a3	16330	145	ORG	2408	b3	12240	115	ORG	2382	c3	12240	115	ORG	2233	d3	16140	70	ORG	1620		br3	DC	40	WHT	2027
a4	16330	145	ORG	2288	b4	12240	115	ORG	2254	c4	12240	115	ORG	2129	d4	16140	70	ORG	1576		br4	DC	40	WHT	1951
a5	16330	145	ORG	2210	b5	12240	115	ORG	2180	c5	12240	115	ORG	2045	d5	16140	70	ORG	1553		br5	DC	40	WHT	1842
a6	16330	145	ORG	2188	b6	12240	115	ORG	2163	c6	12240	115	ORG	2030	d6	16140	70	ORG	1638		br6	DC	40	WHT	1819
a7	DC	100	WHT	1015	b7	DC	100	WHT	1001	c7	DC	60	WHT	942	d7	DC	60	WHT	894		br7	DC	40	WHT	592
a8	DC	60	WHT	890	b8	DC	60	WHT	878	c8	DC	60	WHT	789	d8	DC	60	WHT	762		br8	DC	40	WHT	505
a9	DC	60	WHT	581	b9	DC	60	WHT	574	c9	DC	60	WHT	512	d9	DC	60	WHT	505		br9	DC	40	WHT	500
a10	DC	60	WHT	573	b10	DC	60	WHT	569	c10	DC	60	WHT	547	d10	DC	60	WHT	489		br10	DC	40	WHT	526
a11	DC	60	WHT	298						c11	DC	60	WHT	295	d11	DC	60	WHT	263		br11	DC	40	WHT	2713
a12	DC	60	WHT	271						c12	DC	40	WHT	267	d12	DC	40	WHT	288						
2A1	16330	145	ORG	713	2B1	12240	115	ORG	647	2C1	16140	70	ORG	198	2D1	12240	115	ORG	1369		2BR1	TNL	80	RED	2780
2A2	12240	115	ORG	968	2B2	16140	70	ORG	902	2C2	16140	70	ORG	450	2D2	12240	115	ORG	1379		2BR2	TNL	80	RED	2742
2A3	16140	70	ORG	605						2C3	16140	70	ORG	596	2D3	16140	70	ORG	768		2BR3	TNL	80	RED	537
															2D4	16140	70	ORG	956		2BR4	TNL	80	RED	491
															2D5	16140	70	ORG	1171		MAIN TIPS	TNL	80	RED	3330
3A1	12950	405	ORG	3321	3B1	16560	240	ORG	3285	3C1	16560	240	ORG	3486	4D1	16560	240	ORG	2841		BR MAIN2	TNL	80	RED	2750
3A2	12950	405	ORG	3402	3B2	16560	240	ORG	3376	3C2	16560	240	ORG	3546											KNOT POINT: 2450
3A3	16560	240	ORG	3768	3B3	16330	145	ORG	3810	3C3	12240	115	ORG	468							BRMAIN	TNL	280	RED	1697
					ST	12240	115	ORG	4224	4C1	12470	200	ORG	3904											KNOT POINT: 1397

**LINES TECHNICAL DATA**

**DOBERMANN 2 19**

REF.	MAT.	KG	COLOUR	m/m	REF.	MAT.	KG	COLOUR	m/m	REF.	MAT.	KG	COLOUR	m/m	REF.	MAT.	KG	COLOUR	m/m					
A					B					C					D					BRAKE				
a1	16330	145	ORG	2556	b1	12240	115	ORG	2530	c1	12240	115	ORG	2389	d1	16140	70	ORG	1898	br1	DC	40	WHT	2261
a2	16330	145	ORG	2472	b2	12240	115	ORG	2445	c2	12240	115	ORG	2292	d2	16140	70	ORG	1707	br2	DC	40	WHT	2099
a3	16330	145	ORG	2475	b3	12240	115	ORG	2448	c3	12240	115	ORG	2295	d3	16140	70	ORG	1665	br3	DC	40	WHT	2083
a4	16330	145	ORG	2350	b4	12240	115	ORG	2315	c4	12240	115	ORG	2187	d4	16140	70	ORG	1620	br4	DC	40	WHT	2004
a5	16330	145	ORG	2271	b5	12240	115	ORG	2240	c5	12240	115	ORG	2102	d5	16140	70	ORG	1595	br5	DC	40	WHT	1893
a6	16330	145	ORG	2248	b6	12240	115	ORG	2222	c6	12240	115	ORG	2087	d6	16140	70	ORG	1683	br6	DC	40	WHT	1870
a7	DC	100	WHT	1043	b7	DC	100	WHT	1028	c7	DC	60	WHT	968	d7	DC	60	WHT	919	br7	DC	40	WHT	608
a8	DC	60	WHT	915	b8	DC	60	WHT	902	c8	DC	60	WHT	811	d8	DC	60	WHT	783	br8	DC	40	WHT	519
a9	DC	60	WHT	597	b9	DC	60	WHT	589	c9	DC	60	WHT	526	d9	DC	60	WHT	519	br9	DC	40	WHT	514
a10	DC	60	WHT	589	b10	DC	60	WHT	585	c10	DC	60	WHT	563	d10	DC	60	WHT	502	br10	DC	40	WHT	541
a11	DC	60	WHT	306						c11	DC	60	WHT	303	d11	DC	60	WHT	270	br11	DC	40	WHT	2873
a12	DC	60	WHT	279						c12	DC	40	WHT	274	d12	DC	40	WHT	296					
2A1	16330	145	ORG	733	2B1	12240	115	ORG	665	2C1	16140	70	ORG	203	2D1	12240	115	ORG	1413	2BR1	TNL	80	RED	2855
2A2	12240	115	ORG	995	2B2	16140	70	ORG	926	2C2	16140	70	ORG	463	2D2	12240	115	ORG	1425	2BR2	TNL	80	RED	2818
2A3	16140	70	ORG	622						2C3	16140	70	ORG	612	2D3	16140	70	ORG	789	2BR3	TNL	80	RED	551
															2D4	16140	70	ORG	983	2BR4	TNL	80	RED	505
															2D5	16140	70	ORG	1204	MAIN TIPS	TNL	80	RED	3424
3A1	12950	405	ORG	3425	3B1	16560	240	ORG	3388	3C1	16560	240	ORG	3595	4D1	16560	240	ORG	2926	BR MAIN2	TNL	80	RED	2750
3A2	12950	405	ORG	3511	3B2	16560	240	ORG	3484	3C2	16560	240	ORG	3659										KNOT POINT: 2450
3A3	16560	240	ORG	3888	3B3	16330	145	ORG	3931	3C3	12240	115	ORG	481						BRMAIN	TNL	280	RED	1749
					ST	12240	115	ORG	4357	4C1	12470	200	ORG	4028										KNOT POINT: 1449

LINES TECHNICAL DATA

DOBERMANN 2 20

REF.	MAT.	KG	COLOUR	m/m	REF.	MAT.	KG	COLOUR	m/m	REF.	MAT.	KG	COLOUR	m/m	REF.	MAT.	KG	COLOUR	m/m					
A					B					C					D					BRAKE				
a1	16330	145	ORG	2622	b1	12240	115	ORG	2595	c1	12240	115	ORG	2450	d1	16140	70	ORG	1947	br1	DC	40	WHT	2319
a2	16330	145	ORG	2536	b2	12240	115	ORG	2509	c2	12240	115	ORG	2352	d2	16140	70	ORG	1751	br2	DC	40	WHT	2154
a3	16330	145	ORG	2541	b3	12240	115	ORG	2513	c3	12240	115	ORG	2356	d3	16140	70	ORG	1710	br3	DC	40	WHT	2138
a4	16330	145	ORG	2411	b4	12240	115	ORG	2375	c4	12240	115	ORG	2243	d4	16140	70	ORG	1661	br4	DC	40	WHT	2055
a5	16330	145	ORG	2330	b5	12240	115	ORG	2298	c5	12240	115	ORG	2156	d5	16140	70	ORG	1637	br5	DC	40	WHT	1943
a6	16330	145	ORG	2307	b6	12240	115	ORG	2281	c6	12240	115	ORG	2141	d6	16140	70	ORG	1727	br6	DC	40	WHT	1919
a7	DC	100	WHT	1070	b7	DC	100	WHT	1055	c7	DC	60	WHT	993	d7	DC	60	WHT	942	br7	DC	40	WHT	623
a8	DC	60	WHT	939	b8	DC	60	WHT	926	c8	DC	60	WHT	832	d8	DC	60	WHT	803	br8	DC	40	WHT	532
a9	DC	60	WHT	612	b9	DC	60	WHT	605	c9	DC	60	WHT	539	d9	DC	60	WHT	532	br9	DC	40	WHT	527
a10	DC	60	WHT	604	b10	DC	60	WHT	600	c10	DC	60	WHT	577	d10	DC	60	WHT	515	br10	DC	40	WHT	556
a11	DC	60	WHT	314						c11	DC	60	WHT	311	d11	DC	60	WHT	277	br11	DC	40	WHT	3029
a12	DC	60	WHT	286						c12	DC	40	WHT	281	d12	DC	40	WHT	304					
2A1	16330	145	ORG	752	2B1	12240	115	ORG	682	2C1	16140	70	ORG	209	2D1	12240	115	ORG	1455	2BR1	TNL	80	RED	2928
2A2	12240	115	ORG	1021	2B2	16140	70	ORG	950	2C2	16140	70	ORG	475	2D2	12240	115	ORG	1470	2BR2	TNL	80	RED	2892
2A3	16140	70	ORG	637						2C3	16140	70	ORG	627	2D3	16140	70	ORG	809	2BR3	TNL	80	RED	566
															2D4	16140	70	ORG	1008	2BR4	TNL	80	RED	518
															2D5	16140	70	ORG	1235	MAIN TIPS	TNL	80	RED	3515
3A1	12950	405	ORG	3527	3B1	16560	240	ORG	3489	3C1	16560	240	ORG	3701	4D1	16560	240	ORG	3010	BR MAIN2	TNL	80	RED	2750
3A2	12950	405	ORG	3617	3B2	16560	240	ORG	3590	3C2	16560	240	ORG	3769										KNOT POINT: 2450
3A3	16560	240	ORG	4005	3B3	16330	145	ORG	4049	3C3	12240	115	ORG	493						BRMAIN	TNL	280	RED	1799
					ST	12240	115	ORG	4486	4C1	12470	200	ORG	4149										KNOT POINT: 1499

LINES HEIGHT m/m

	A	B	C	D	br
1	5151	5096	5154	5373	5683
2	5073	5017	5065	5202	5538
3	5071	5015	5063	5161	5521
4	5033	4979	5020	5129	5415
5	4962	4912	4943	5107	5316
6	4940	4894	4927	5184	5293
7	4856	4820	4869	4917	5198
8	4744	4710	4730	4797	5119
9	4694	4666	4707	4736	5072
10	4687	4661	4739	4721	5095
11	4532		4521	4711	4563
12	4509		4496	4734	

RISERS LENGTH m/m

	A	B	C	D	
	480	480	480	480	STANDARD
	480	530	580	670	ACCELERATED
	305	415	580	760	TRAVEL

LINES HEIGHT m/m

	A	B	C	D	br
1	5435	5377	5438	5669	5991
2	5355	5296	5347	5491	5840
3	5355	5297	5346	5450	5823
4	5317	5260	5303	5417	5713
5	5242	5190	5223	5395	5609
6	5220	5172	5207	5475	5586
7	5132	5095	5146	5197	5488
8	5015	4980	5001	5072	5406
9	4963	4933	4977	5007	5358
10	4955	4928	5011	4992	5382
11	4792		4781	4982	4828
12	4768		4754	5006	

RISERS LENGTH m/m

	A	B	C	D	
	480	480	480	480	STANDARD
	480	530	580	670	ACCELERATED
	305	415	580	760	TRAVEL

LINES HEIGHT m/m

	A	B	C	D	br
1	5618	5558	5620	5859	6187
2	5536	5475	5527	5676	6032
3	5537	5477	5528	5635	6016
4	5498	5440	5484	5602	5904
5	5422	5368	5402	5579	5798
6	5400	5350	5387	5662	5775
7	5309	5271	5324	5376	5674
8	5188	5152	5175	5247	5590
9	5135	5104	5150	5181	5540
10	5127	5099	5185	5165	5565
11	4959		4947	5155	4998
12	4934		4920	5180	

RISERS LENGTH m/m

	A	B	C	D	
	480	480	480	480	STANDARD
	480	530	580	670	ACCELERATED
	305	415	580	760	TRAVEL

LINES HEIGHT m/m

	A	B	C	D	br
1	5795	5733	5797	6043	6378
2	5712	5649	5702	5856	6220
3	5714	5652	5704	5815	6204
4	5675	5615	5660	5782	6090
5	5597	5541	5576	5758	5981
6	5574	5524	5561	5843	5958
7	5481	5442	5497	5551	5856
8	5357	5320	5343	5418	5769
9	5302	5270	5318	5350	5718
10	5294	5265	5354	5333	5744
11	5121		5109	5323	5163
12	5095		5081	5349	

RISERS LENGTH m/m

	A	B	C	D	
	480	480	480	480	STANDARD
	480	530	580	670	ACCELERATED
	305	415	580	760	TRAVEL

LINES HEIGHT m/m

	A	B	C	D	br
1	5967	5904	5969	6222	6565
2	5883	5818	5872	6031	6403
3	5886	5822	5875	5990	6387
4	5846	5785	5831	5956	6271
5	5767	5710	5746	5932	6160
6	5744	5692	5731	6020	6137
7	5649	5609	5665	5720	6032
8	5521	5483	5507	5584	5943
9	5465	5432	5482	5514	5892
10	5456	5427	5519	5497	5919
11	5279		5266	5487	5323
12	5252		5237	5513	

RISERS LENGTH m/m

	A	B	C	D	
	480	480	480	480	STANDARD
	480	530	580	670	ACCELERATED
	305	415	580	760	TRAVEL

LINES HEIGHT m/m

	A	B	C	D	br
1	6135	6070	6136	6397	6746
2	6049	5983	6038	6201	6581
3	6053	5988	6042	6160	6565
4	6013	5950	5998	6126	6446
5	5932	5874	5911	6101	6334
6	5910	5856	5896	6192	6310
7	5812	5771	5829	5885	6203
8	5681	5642	5667	5746	6112
9	5623	5589	5641	5674	6059
10	5615	5584	5679	5657	6088
11	5433		5419	5646	5479
12	5405		5390	5673	

RISERS LENGTH m/m

	A	B	C	D	
	480	480	480	480	STANDARD
	480	530	580	670	ACCELERATED
	305	415	580	760	TRAVEL



**SUSPENSION TECHNICAL DATA**

**DOBERMANN 2**

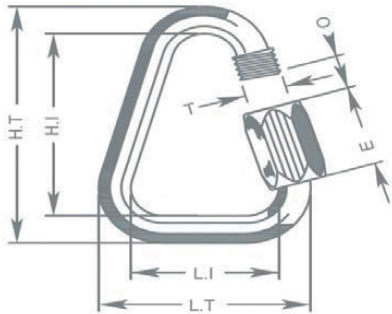
MATERIAL CODE		DC	DC	DC	TNL	TNL	16140	12240	16330	12470	12950	16560
STRENGTH CODE		40	60	100	080	280	70	115	145	200	405	240
DIAMETER m/m	Ø	0,5	0,6	0,8	1,1	1,8	0,7	0,9	1	1,2	1,6	1,4
CORE MATERIAL		DYNEEMA	DYNEEMA	DYNEEMA	TECHNORA	Technora	VECTRAM	VECTRAM	VECTRAM	VECTRAM	VECTRAM	VECTRAM
SLEEVE MATERIAL		NO	NO	NO	POLYESTER	POLYESTER	NO	NO	NO	NO	NO	NO
WEIGHT g/m	TOTAL	0,19	0,24	0,42	1,1	2,7	0,39	0,57	0,77	1,17	2	1,59
BREAKING STRENGTH	MINIMUM	40	60	100	80	280	70	115	145	200	405	240
	MAXIMUM	48	84	110	92	320	74	122	153	215	430	255
STRENGTH AFTER												
5.000 BENDING CYCLES	TEST EN	33	74	99	36,7	134,7	31	60,9	77,5	112,1	237,5	185,5
ELONGATION AT	5 dan en %				0,3	0,2	0,75	0,2	0,2	0,2	0,35	0,1
	10 dan en %		0,43	0,36	0,5	0,3	1	0,4	0,4	0,3	0,4	0,3
	15 dan en %				0,7	0,4	1,1	0,4	0,7	0,4	0,5	0,4
	20 dan en %				1	0,4	1,4	0,9	0,8	0,5	0,7	0,5
	25 dan en %				1,3	0,5	1,75	1	0,9	0,6	0,9	0,6
	30 dan en %		1,2	1	2,3	0,9	2,75	1,6	1,5	1	1	1
	75 dan en %				2,8	1,3		2	2	1,4	1,3	1,2
	100 dan en %					1,7		3	2,4	1,7	1,7	1,5
	125 dan en %					2			3	2,1	1,8	1,9
	150 dan en %					2,3			3,6	2,4	1,9	2,1
	175 dan en %					2,7				2,8	2	2,4
	200 dan en %					2,8				3,2	2,4	2,7
											2,7	3,1
ELONGATION MAX. BREAKING STRENGTH %			3,2	3,4	3	4,1	3,7	3,5	3,7	3,4	4,2	3,5

**MAILLON TECHNICAL DATA**

**DESCRIPTION**

MAILLON	DELTA
CODE	MRI4
MATERIAL	STAINLESS STEEL
SIZE	4,3 m/m
WEIGHT	12 g/piece

**TECHNICAL SPECIFICATIONS**



DIMENSIONS	m/m
L.T.	28
L.I.	20
H.T.	38
H.I.	30
O	4
E	11
T	4
LOAD	kg
WORKING LIMIT	150
BREAKING	750

**MATERIAL**

AISI 304 STAINLESS STEEL	STANDARD
--------------------------	----------

CLOSING APPLIED BY MANUAL & ENTIRE SCREWING OF THE NUT  
 TO GUARANTEE THE HIGHEST SAFETY (NO THREAD SHOULD BE OBVIOUS)

SYSTEMATIC CONTROL OF MAILLON QUICK-LINKS BEFORE EVERY FLIGHT

**THREAD TECHNICAL DATA****SAIL MAKING**

NAME	SERAFIL
N° OF REFERENCE	60
MATERIAL	POLYESTER
TYPE OF FINISH	SILK
LINEAR DENSITY	NM 61 / 3 (DTEX 163 * 3)
BREAKING STRENGTH	3,000 CN
ELONGATION	17,00%

**SERAFIL PROPERTIES**

SOLIDITY ARTIFICIAL LIGTH	ISO 105 B02 > 5 - 6
SOLIDITY SWEAT	ISO 105 E04 > 4
SOLIDITY WASHING	ISO 105 C04 > 3
SOLIDITY GRAZE IN DRY	ISO 105 X12 > 4
SOLIDITY WASHING IN DRY	ISO 105 D01 > 3 - 4

TREATMENT WATER REPELLENT	WR
---------------------------	----

**RISERS MAKING**

NAME	COATS BONDED C.F.P.
N° OF REFERENCE	V138
MATERIAL	POLYESTER
TYPE OF FINISH	SILK
BREAKING STRENGTH	9,5 KG
ELONGATION	19%

**RISERS TECHNICAL DATA****RISERS**

N° OF REFERENCE	WD103
MATERIAL	POLYESTER & TECHNORA
WIDTH	19 m/m
THICKNESS	1,6 m/m
BREAKING STRENGTH	850 kg
ELONGATION	MAX. 12%
WEIGHTH	23 g/m
COLOR	BLACK

**COLOR INDICATOR**

N° OF REFERENCE	IC-G 1-2
MATERIAL	POLYESTER
WIDTH	70 m/m
THICKNESS	0,80 m/m
BREAKING STRENGTH	130 DN
ELONGATION	35 %
WEIGHTH	32 G * L.M.
COLOR	GREEN

**LOOPS**

N° OF REFERENCE	LKI - 10
MATERIAL	NYLON
WIDTH	10 m/m
BREAKING STRENGTH	84 kg
ELONGATION	30 %
WEIGHTH	5,5 g/m
COLOR	WHITE

