

TECHNICAL SPECIFICATIONS

HOOK 4 P



TECHNICAL DATA

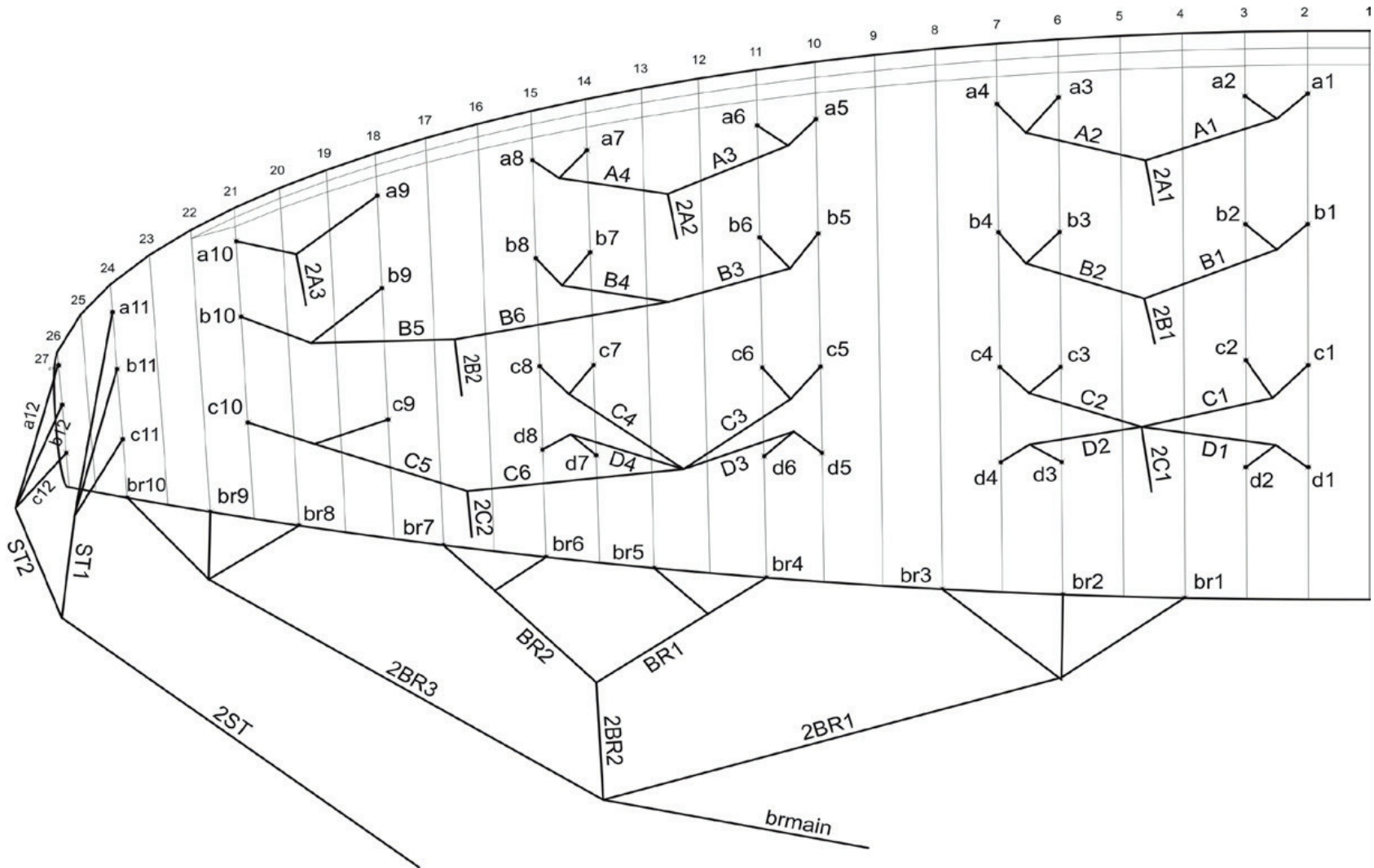
HOOK 4 P			21	23	25	27
CELLS	NUMBER		52	52	52	52
	CLOSED		8	8	8	8
	BOX		23	23	23	23
FLAT	AREA	m ²	21	23	25	27
	SPAN	m	10,65	11,15	11,62	12,08
	ASPECT RATIO		5,4	5,4	5,4	5,4
PROJECTED	AREA	m ²	17,85	19,55	21,25	22,95
	SPAN	m	8,45	8,84	9,22	9,58
	ASPECT RATIO		4	4	4	4
FLATTENING		%	15	15	15	15
CORD	MAXIMUM	m	2,47	2,58	2,69	2,8
	MINIMUM	m	0,49	0,52	0,54	0,56
	AVERAGE	m	1,97	2,06	2,14	2,23
LINES	TOTAL METERS	m	208	218	227	236
	HEIGHT	m	6,5	6,8	7,09	7,36
	NUMBER		180	180	180	180
	MAIN		2+1/3/2	2+1/3/2	2+1/3/2	2+1/3/2
RISERS	NUMBER	3	A+A'/B/C	A+A'/B/C	A+A'/B/C	A+A'/B/C
	TRIMS		NO	NO	NO	NO
	ACCELERATOR	m/m	135	135	135	135
TOTAL WEIGHT	MINIMUM	kg	55	65	80	95
IN FLIGHT	MAXIMUM	kg	70	85	100	115
GLIDER WEIGHT		kg	3	3,25	3,6	3,85
CERTIFICATION	EN/LTF		B	B	B	B

MATERIALS TECHNICAL DATA

CANOPY	FABRIC CODE	SUPPLIER
UPPER SURFACE FOR LEADING EDGE	9017 E25	PORCHER IND (FRANCE)
UPPER SURFACE FOR THE REST	70000 E3H	PORCHER IND (FRANCE)
BOTTOM SURFACE	70000 E3H	PORCHER IND (FRANCE)
RIBS	70000 E91	PORCHER IND (FRANCE)
DIAGONALS	70000 E91	PORCHER IND (FRANCE)
LOOPS	LKI - 10	KOLON IND. (KOREA)
REINFORCEMENT LOOPS	SOFT DACRON	D-P (GERMANY)
TRAILING EDGE REINFORCEMENT	DACRON	D-P (GERMANY)
RIB REINFORCEMENT	LTN-0.8 STICK	SPORTWARE CO. (CHINA)
THREAD	SERAFIL 60	AMAN (GERMANY)

SUSPENSION LINES	FABRIC CODE	SUPPLIER
UPPER CASCADES	DC - 040	LIROS GMHB (GERMANY)
UPPER CASCADES	DC - 060	LIROS GMHB (GERMANY)
MIDDLE CASCADES	A-8000/U 090	EDELRID (GERMANY)
MIDDLE CASCADES	A-8000/U 130	EDELRID (GERMANY)
MIDDLE CASCADES	A-8000/U 230	EDELRID (GERMANY)
MAIN	A-8000/U 280	EDELRID (GERMANY)
MAIN BREAK	TNL - 280	TEIJIM LIMITED (JAPAN)
THREAD	SERAFIL 60	AMAN (GERMANY)

RISERS	FABRIC CODE	SUPPLIER
MATERIAL	10148	LIROS GMHB (GERMANY)
COLOUR INDICATOR	PAD	TECNI SANGLES (FRANCE)
THREAD	V138	COATS (UK)
PULLEYS	RF25109	RONSTAN (AUSTRALIA)



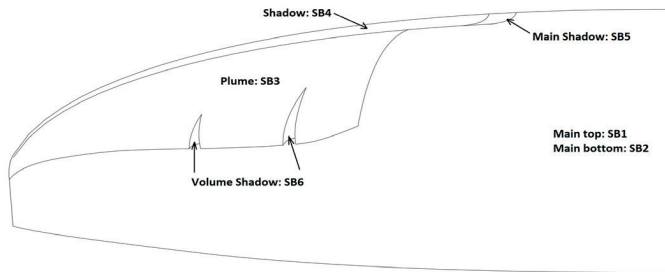


COLOURS TECHNICAL DATA

SPRING	SB1	RED	TOP	REF: 633
	SB2	RED	BOTTOM	REF: 633
	SB3	WHITE	PLUME	REF: 001
	SB4	LIMA	SHADOW	REF: 300
	SB5	WHITE	MAIN SHADOW	REF: 001
	SB6	BLACK	VOLUME SHADOW	REF: 102



DAYBREAK	SB1	ORANGE	TOP	REF: 744
	SB2	ORANGE	BOTTOM	REF: 744
	SB3	ROYAL BLUE	HORN	REF: 317
	SB4	WHITE	SHADOW	REF: 001
	SB5	BLACK	MAIN SHADOW	REF: 102
	SB6	WHITE	VOLUME SHADOW	REF: 001



WING LOAD TECHNICAL DATA

HOOK 4 P

21		23		25		27	
P.T.V.	kg/m ²	P.T.V.	kg/m ²	P.T.V.	kg/m ²	P.T.V.	kg/m ²
55	= 2,62	65	= 2,83	80	= 3,20	95	= 3,52
56	= 2,67	66	= 2,87	81	= 3,24	96	= 3,56
57	= 2,71	67	= 2,91	82	= 3,28	97	= 3,59
58	= 2,76	68	= 2,96	83	= 3,32	98	= 3,63
59	= 2,81	69	= 3,00	84	= 3,36	99	= 3,67
60	= 2,86	70	= 3,04	85	= 3,40	100	= 3,70
61	= 2,90	71	= 3,09	86	= 3,44	101	= 3,74
62	= 2,95	72	= 3,13	87	= 3,48	102	= 3,78
63	= 3,00	73	= 3,17	88	= 3,52	103	= 3,81
64	= 3,05	74	= 3,22	89	= 3,56	104	= 3,85
65	= 3,10	75	= 3,26	90	= 3,60	105	= 3,89
66	= 3,14	76	= 3,30	91	= 3,64	106	= 3,93
67	= 3,19	77	= 3,35	92	= 3,68	107	= 3,96
68	= 3,24	78	= 3,39	93	= 3,72	108	= 4,00
69	= 3,29	79	= 3,43	94	= 3,76	109	= 4,04
70	= 3,33	80	= 3,48	95	= 3,80	110	= 4,07
		81	= 3,52	96	= 3,84	111	= 4,11
		82	= 3,57	97	= 3,88	112	= 4,15
		83	= 3,61	98	= 3,92	113	= 4,19
		84	= 3,65	99	= 3,96	114	= 4,22
		85	= 3,70	100	= 4,00	115	= 4,26

LINES TECHNICAL DATA

HOOK 4 P

21

REF.	MAT.	kg	COLOUR	m/m	REF.	MAT.	kg	COLOUR	m/m	REF.	MAT.	kg	COLOUR	m/m	REF.	MAT.	kg	COLOUR	m/m	REF.	MAT.	kg	COLOUR	m/m
A					B					C					D					BRAKE				
a1	DC	60	WHT	345	b1	DC	60	WHT	340	c1	DC	60	WHT	295	d1	DC	60	WHT	359	br1	DC	40	WHT	1.447
a2	DC	60	WHT	284	b2	DC	60	WHT	280	c2	DC	60	WHT	209	d2	DC	60	WHT	277	br2	DC	40	WHT	1.131
a3	DC	60	WHT	307	b3	DC	60	WHT	301	c3	DC	60	WHT	235	d3	DC	60	WHT	306	br3	DC	40	WHT	970
a4	DC	60	WHT	326	b4	DC	60	WHT	322	c4	DC	60	WHT	279	d4	DC	60	WHT	346	br4	DC	40	WHT	716
a5	DC	60	WHT	320	b5	DC	60	WHT	318	c5	DC	60	WHT	275	d5	DC	60	WHT	337	br5	DC	40	WHT	590
a6	DC	60	WHT	281	b6	DC	60	WHT	266	c6	DC	60	WHT	200	d6	DC	60	WHT	258	br6	DC	40	WHT	565
a7	DC	60	WHT	272	b7	DC	60	WHT	270	c7	DC	60	WHT	214	d7	DC	60	WHT	277	br7	DC	40	WHT	628
a8	DC	60	WHT	287	b8	DC	60	WHT	280	c8	DC	60	WHT	239	d8	DC	60	WHT	296	br8	DC	40	WHT	852
a9	DC	60	WHT	1.490	b9	DC	60	WHT	1.332	c9	DC	60	WHT	903						br9	DC	40	WHT	781
a10	DC	60	WHT	1.351	b10	DC	60	WHT	1.300	c10	DC	60	WHT	925						br10	DC	40	WHT	771
a11	DC	60	WHT	889	b11	DC	60	WHT	878	c11	DC	60	WHT	977										
a12	DC	60	WHT	1.041	b12	DC	60	WHT	1.047	c12	DC	60	WHT	1.105										
A1	A-8000/U	130	NATURAL	1.871	B1	A-8000/U	130	NATURAL	1.840	C1	A-8000/U	130	NATURAL	1.197	D1	A-8000/U	90	NATURAL	1.232	BR1	A-8000/U	90	NATURAL	754
A2	A-8000/U	130	NATURAL	1.808	B2	A-8000/U	130	NATURAL	1.781	C2	A-8000/U	130	NATURAL	1.126	D2	A-8000/U	90	NATURAL	1.154	BR2	A-8000/U	90	NATURAL	739
A3	A-8000/U	130	NATURAL	1.731	B3	A-8000/U	130	NATURAL	1.579	C3	A-8000/U	90	NATURAL	1.124	D3	A-8000/U	90	NATURAL	1.147					
A4	A-8000/U	130	NATURAL	1.690	B4	A-8000/U	130	NATURAL	1.495	C4	A-8000/U	90	NATURAL	1.007	D4	A-8000/U	90	NATURAL	1.017					
					B5	A-8000/U	90	NATURAL	1.678	C5	A-8000/U	130	NATURAL	1.448										
					ST1	A-8000/U	90	NATURAL	840															
					ST2	A-8000/U	90	NATURAL	586															
					B6	A-8000/U	230	NATURAL	1.329	C6	A-8000/U	230	NATURAL	1.195										
2A1	A-8000/U	280	NATURAL	3.788	2B1	A-8000/U	280	NATURAL	3.736	2C1	A-8000/U	280	NATURAL	4.516						2BR1	A-8000/U	90	NATURAL	2.856
2A2	A-8000/U	280	NATURAL	3.834	2B2	A-8000/U	280	NATURAL	2.632	2C2	A-8000/U	280	NATURAL	3.355						2BR2	A-8000/U	90	NATURAL	2.241
2A3	A-8000/U	130	NATURAL	4.143	2ST	A-8000/U	90	NATURAL	3.557											2BR3	A-8000/U	90	NATURAL	2.574
																				brmain	TNL	280	RED	2.658
																				POINT:				2.458

LINES TECHNICAL DATA

HOOK 4 P

23

REF.	MAT.	kg	COLOUR	m/m	REF.	MAT.	kg	COLOUR	m/m	REF.	MAT.	kg	COLOUR	m/m	REF.	MAT.	kg	COLOUR	m/m	REF.	MAT.	kg	COLOUR	m/m
A					B					C					D					BRAKE				
a1	DC	60	WHT	361	b1	DC	60	WHT	355	c1	DC	60	WHT	308	d1	DC	60	WHT	376	br1	DC	40	WHT	1.514
a2	DC	60	WHT	297	b2	DC	60	WHT	293	c2	DC	60	WHT	219	d2	DC	60	WHT	290	br2	DC	40	WHT	1.184
a3	DC	60	WHT	321	b3	DC	60	WHT	315	c3	DC	60	WHT	245	d3	DC	60	WHT	320	br3	DC	40	WHT	1.017
a4	DC	60	WHT	341	b4	DC	60	WHT	337	c4	DC	60	WHT	292	d4	DC	60	WHT	362	br4	DC	40	WHT	750
a5	DC	60	WHT	335	b5	DC	60	WHT	333	c5	DC	60	WHT	288	d5	DC	60	WHT	353	br5	DC	40	WHT	618
a6	DC	60	WHT	294	b6	DC	60	WHT	278	c6	DC	60	WHT	209	d6	DC	60	WHT	271	br6	DC	40	WHT	591
a7	DC	60	WHT	284	b7	DC	60	WHT	282	c7	DC	60	WHT	224	d7	DC	60	WHT	290	br7	DC	40	WHT	657
a8	DC	60	WHT	301	b8	DC	60	WHT	293	c8	DC	60	WHT	251	d8	DC	60	WHT	309	br8	DC	40	WHT	892
a9	DC	60	WHT	1.560	b9	DC	60	WHT	1.393	c9	DC	60	WHT	945						br9	DC	40	WHT	817
a10	DC	60	WHT	1.414	b10	DC	60	WHT	1.361	c10	DC	60	WHT	968						br10	DC	40	WHT	807
a11	DC	60	WHT	930	b11	DC	60	WHT	919	c11	DC	60	WHT	1.023										
a12	DC	60	WHT	1.089	b12	DC	60	WHT	1.096	c12	DC	60	WHT	1.156										
A1	A-8000/U	130	NATURAL	1.958	B1	A-8000/U	130	NATURAL	1.925	C1	A-8000/U	130	NATURAL	1.253	D1	A-8000/U	90	NATURAL	1.294	BR1	A-8000/U	90	NATURAL	788
A2	A-8000/U	130	NATURAL	1.894	B2	A-8000/U	130	NATURAL	1.866	C2	A-8000/U	130	NATURAL	1.180	D2	A-8000/U	90	NATURAL	1.204	BR2	A-8000/U	90	NATURAL	775
A3	A-8000/U	130	NATURAL	1.811	B3	A-8000/U	130	NATURAL	1.652	C3	A-8000/U	90	NATURAL	1.176	D3	A-8000/U	90	NATURAL	1.200					
A4	A-8000/U	130	NATURAL	1.769	B4	A-8000/U	130	NATURAL	1.565	C4	A-8000/U	90	NATURAL	1.054	D4	A-8000/U	90	NATURAL	1.065					
					B5	A-8000/U	90	NATURAL	1.757	C5	A-8000/U	130	NATURAL	1.521										
					ST1	A-8000/U	90	NATURAL	879															
					ST2	A-8000/U	90	NATURAL	612															
					B6	A-8000/U	230	NATURAL	1.391	C6	A-8000/U	230	NATURAL	1.250										
2A1	A-8000/U	280	NATURAL	3.989	2B1	A-8000/U	280	NATURAL	3.927	2C1	A-8000/U	280	NATURAL	4.750						2BR1	A-8000/U	90	NATURAL	2.986
2A2	A-8000/U	280	NATURAL	4.043	2B2	A-8000/U	280	NATURAL	2.787	2C2	A-8000/U	280	NATURAL	3.548						2BR2	A-8000/U	90	NATURAL	2.346
2A3	A-8000/U	130	NATURAL	4.372	2ST	A-8000/U	90	NATURAL	3.762											2BR3	A-8000/U	90	NATURAL	2.718
																				brmain	TNL	280	RED	2.835
																				POINT:				2.635

LINES TECHNICAL DATA

HOOK 4 P

25

REF.	MAT.	kg	COLOUR	m/m	REF.	MAT.	kg	COLOUR	m/m	REF.	MAT.	kg	COLOUR	m/m	REF.	MAT.	kg	COLOUR	m/m	REF.	MAT.	kg	COLOUR	m/m
A					B					C					D									
a1	DC	60	WHT	376	b1	DC	60	WHT	370	c1	DC	60	WHT	321	d1	DC	60	WHT	392	br1	DC	40	WHT	1.578
a2	DC	60	WHT	311	b2	DC	60	WHT	306	c2	DC	60	WHT	229	d2	DC	60	WHT	303	br2	DC	40	WHT	1.235
a3	DC	60	WHT	334	b3	DC	60	WHT	328	c3	DC	60	WHT	256	d3	DC	60	WHT	333	br3	DC	40	WHT	1.061
a4	DC	60	WHT	356	b4	DC	60	WHT	352	c4	DC	60	WHT	305	d4	DC	60	WHT	378	br4	DC	40	WHT	781
a5	DC	60	WHT	349	b5	DC	60	WHT	347	c5	DC	60	WHT	300	d5	DC	60	WHT	368	br5	DC	40	WHT	645
a6	DC	60	WHT	306	b6	DC	60	WHT	290	c6	DC	60	WHT	218	d6	DC	60	WHT	282	br6	DC	40	WHT	615
a7	DC	60	WHT	296	b7	DC	60	WHT	294	c7	DC	60	WHT	234	d7	DC	60	WHT	302	br7	DC	40	WHT	685
a8	DC	60	WHT	314	b8	DC	60	WHT	306	c8	DC	60	WHT	261	d8	DC	60	WHT	323	br8	DC	40	WHT	929
a9	DC	60	WHT	1.626	b9	DC	60	WHT	1.452	c9	DC	60	WHT	985						br9	DC	40	WHT	852
a10	DC	60	WHT	1.474	b10	DC	60	WHT	1.419	c10	DC	60	WHT	1.009						br10	DC	40	WHT	842
a11	DC	60	WHT	970	b11	DC	60	WHT	958	c11	DC	60	WHT	1.066										
a12	DC	60	WHT	1.135	b12	DC	60	WHT	1.143	c12	DC	60	WHT	1.205										
A1	A-8000/U	130	NATURAL	2.040	B1	A-8000/U	130	NATURAL	2.007	C1	A-8000/U	130	NATURAL	1.305	D1	A-8000/U	90	NATURAL	1.344	BR1	A-8000/U	90	NATURAL	821
A2	A-8000/U	130	NATURAL	1.977	B2	A-8000/U	130	NATURAL	1.947	C2	A-8000/U	130	NATURAL	1.231	D2	A-8000/U	90	NATURAL	1.263	BR2	A-8000/U	90	NATURAL	808
A3	A-8000/U	130	NATURAL	1.887	B3	A-8000/U	130	NATURAL	1.723	C3	A-8000/U	90	NATURAL	1.226	D3	A-8000/U	90	NATURAL	1.251					
A4	A-8000/U	130	NATURAL	1.845	B4	A-8000/U	130	NATURAL	1.632	C4	A-8000/U	90	NATURAL	1.099	D4	A-8000/U	90	NATURAL	1.111					
					B5	A-8000/U	90	NATURAL	1.832	C5	A-8000/U	130	NATURAL	1.579										
					ST1	A-8000/U	90	NATURAL	916															
					ST2	A-8000/U	90	NATURAL	638															
					B6	A-8000/U	230	NATURAL	1.457	C6	A-8000/U	230	NATURAL	1.303										
2A1	A-8000/U	280	NATURAL	4.180	2B1	A-8000/U	280	NATURAL	4.120	2C1	A-8000/U	280	NATURAL	4.982						2BR1	A-8000/U	90	NATURAL	3.110
2A2	A-8000/U	280	NATURAL	4.237	2B2	A-8000/U	280	NATURAL	2.926	2C2	A-8000/U	280	NATURAL	3.730						2BR2	A-8000/U	90	NATURAL	2.446
2A3	A-8000/U	130	NATURAL	4.581	2ST	A-8000/U	90	NATURAL	3.938											2BR3	A-8000/U	90	NATURAL	2.812
																				brmain	TNL	280	RED	2.935
																					POINT:			2.735

LINES TECHNICAL DATA

HOOK 4 P

27

REF.	MAT.	kg	COLOUR	m/m	REF.	MAT.	kg	COLOUR	m/m	REF.	MAT.	kg	COLOUR	m/m	REF.	MAT.	kg	COLOUR	m/m	REF.	MAT.	kg	COLOUR	m/m
A					B					C					D					BRAKE				
a1	DC	60	WHT	390	b1	DC	60	WHT	385	c1	DC	60	WHT	334	d1	DC	60	WHT	407	br1	DC	40	WHT	1.640
a2	DC	60	WHT	323	b2	DC	60	WHT	318	c2	DC	60	WHT	238	d2	DC	60	WHT	316	br2	DC	40	WHT	1.284
a3	DC	60	WHT	347	b3	DC	60	WHT	341	c3	DC	60	WHT	265	d3	DC	60	WHT	346	br3	DC	40	WHT	1.104
a4	DC	60	WHT	370	b4	DC	60	WHT	366	c4	DC	60	WHT	317	d4	DC	60	WHT	393	br4	DC	40	WHT	812
a5	DC	60	WHT	363	b5	DC	60	WHT	361	c5	DC	60	WHT	312	d5	DC	60	WHT	382	br5	DC	40	WHT	670
a6	DC	60	WHT	319	b6	DC	60	WHT	301	c6	DC	60	WHT	227	d6	DC	60	WHT	293	br6	DC	40	WHT	639
a7	DC	60	WHT	308	b7	DC	60	WHT	306	c7	DC	60	WHT	243	d7	DC	60	WHT	314	br7	DC	40	WHT	712
a8	DC	60	WHT	326	b8	DC	60	WHT	318	c8	DC	60	WHT	272	d8	DC	60	WHT	335	br8	DC	40	WHT	965
a9	DC	60	WHT	1.690	b9	DC	60	WHT	1.509	c9	DC	60	WHT	1.023						br9	DC	40	WHT	886
a10	DC	60	WHT	1.532	b10	DC	60	WHT	1.475	c10	DC	60	WHT	1.049						br10	DC	40	WHT	876
a11	DC	60	WHT	1.008	b11	DC	60	WHT	995	c11	DC	60	WHT	1.107										
a12	DC	60	WHT	1.180	b12	DC	60	WHT	1.187	c12	DC	60	WHT	1.252										
A1	A-8000/U	130	NATURAL	2.120	B1	A-8000/U	130	NATURAL	2.085	C1	A-8000/U	130	NATURAL	1.356	D1	A-8000/U	90	NATURAL	1.396	BR1	A-8000/U	90	NATURAL	853
A2	A-8000/U	130	NATURAL	2.056	B2	A-8000/U	130	NATURAL	2.025	C2	A-8000/U	130	NATURAL	1.281	D2	A-8000/U	90	NATURAL	1.307	BR2	A-8000/U	90	NATURAL	841
A3	A-8000/U	130	NATURAL	1.961	B3	A-8000/U	130	NATURAL	1.790	C3	A-8000/U	90	NATURAL	1.273	D3	A-8000/U	90	NATURAL	1.304					
A4	A-8000/U	130	NATURAL	1.918	B4	A-8000/U	130	NATURAL	1.696	C4	A-8000/U	90	NATURAL	1.143	D4	A-8000/U	90	NATURAL	1.160					
					B5	A-8000/U	90	NATURAL	1.905	C5	A-8000/U	130	NATURAL	1.650										
					ST1	A-8000/U	90	NATURAL	952															
					ST2	A-8000/U	90	NATURAL	662															
					B6	A-8000/U	230	NATURAL	1.513	C6	A-8000/U	230	NATURAL	1.353										
2A1	A-8000/U	280	NATURAL	4.366	2B1	A-8000/U	280	NATURAL	4.303	2C1	A-8000/U	280	NATURAL	5.200						2BR1	A-8000/U	90	NATURAL	3.230
2A2	A-8000/U	280	NATURAL	4.428	2B2	A-8000/U	280	NATURAL	3.050	2C2	A-8000/U	280	NATURAL	3.893						2BR2	A-8000/U	90	NATURAL	2.543
2A3	A-8000/U	130	NATURAL	4.787	2ST	A-8000/U	90	NATURAL	4.117										2BR3	A-8000/U	90	NATURAL	2.926	
																				brmain	TNL	280	RED	3.033
																					POINT:			2.833

LINES HEIGHT m/m

	A	B	C	D	br
1	6001	5913	6004	6103	6757
2	5940	5853	5918	6021	6441
3	5900	5815	5873	5972	6280
4	5919	5836	5917	6012	6165
5	5882	5851	5942	6027	6039
6	5843	5799	5867	5948	5999
7	5793	5719	5764	5837	6062
8	5808	5729	5789	5856	5881
9	5633	5640	5704		5810
10	5494	5608	5726		5800
11	5286	5273	5372		
12	5184	5188	5246		

RISERS LENGTH m/m

	A	B'	B	C	
	470	470	470	470	STANDARD
	340	360	380	470	ACCELERATED

LINES HEIGHT m/m

	A	B	C	D	br
1	6305	6204	6307	6416	7131
2	6241	6142	6218	6330	6801
3	6201	6105	6171	6270	6634
4	6221	6127	6218	6312	6515
5	6186	6156	6255	6344	6383
6	6145	6101	6176	6262	6343
7	6093	6018	6069	6146	6409
8	6110	6029	6096	6165	6242
9	5932	5935	6012		6167
10	5786	5903	6035		6157
11	5571	5558	5662		
12	5463	5468	5528		

RISERS LENGTH m/m

	A	B'	B	C	
	470	470	470	470	STANDARD
	340	360	380	470	ACCELERATED

LINES HEIGHT m/m

	A	B	C	D	br
1	6593	6494	6604	6714	7419
2	6528	6430	6512	6625	7076
3	6488	6392	6465	6574	6902
4	6510	6416	6514	6619	6779
5	6470	6446	6552	6645	6643
6	6427	6389	6470	6559	6600
7	6375	6302	6359	6439	6670
8	6393	6314	6386	6460	6473
9	6207	6208	6292		6396
10	6055	6175	6316		6386
11	5824	5810	5918		
12	5711	5717	5779		

RISERS LENGTH m/m

	A	B'	B	C	
	470	470	470	470	STANDARD
	340	360	380	470	ACCELERATED

LINES HEIGHT m/m

	A	B	C	D	br
1	6873	6770	6886	6999	7699
2	6806	6703	6790	6908	7343
3	6766	6666	6742	6849	7163
4	6789	6691	6794	6896	7037
5	6749	6707	6824	6925	6895
6	6705	6647	6739	6836	6852
7	6651	6558	6625	6713	6925
8	6669	6570	6654	6734	6721
9	6477	6462	6564		6642
10	6319	6428	6590		6632
11	6077	6062	6174		
12	5959	5964	6029		

RISERS LENGTH m/m

	A	B'	B	C	
	470	470	470	470	STANDARD
	340	360	380	470	ACCELERATED

SUSPENSION TECHNICAL DATA

HOOK 4 P

MATERIAL CODE		DC	DC	A-8000/U	A-8000/U	A-8000/U	A-8000/U	TNL
STRENGTH CODE		040	060	90	130	230	280	280
DIAMETER m/m	Ø	0,5	0,6	0,8	0,9	1,1 X 1,4	1,45	1,8
CORE MATERIAL		DYNEEMA	DYNEEMA	ARAMID	ARAMID	ARAMID	ARAMID	TECHNORA
SLEEVE MATERIAL		NO	NO	NO	NO	NO	NO	POLYESTER
WEIGHT g/m	TOTAL	0,19	0,24	0,5	0,8	1,4	1,75	2,7
BREAKING STRENGTH	MINIMUM	40	60	90	130	230	280	280
	MAXIMUM	48	84	110	144	255	300	320
STRENGTH AFTER 5.000 BENDING CYCLES	TEST EN	33	74	49	88	160	170	134,7
ELONGATION AT	5 dan en %			0,4	0,4	0,3	0,4	0,2
	10 dan en %		0,43	0,6	0,6	0,5		0,3
	15 dan en %			0,8	0,8	0,6		0,4
	20 dan en %			1	0,9	0,7		0,4
	25 dan en %			1,3	1	0,8	0,9	0,5
	30 dan en %		1,2	2,3	1,8	1,3	1,4	0,9
	75 dan en %			3,2	3,1	2,3		1,3
	100 dan en %					3,6	2,2	1,7
	125 dan en %					3,3		2
	150 dan en %					3,6		2,3
	175 dan en %							2,7
	200 dan en %							2,8
							3,9	
ELONGATION MAX. BREAKING STRENGTH %			3,2	4,3	4	4,4	4,5	4,1

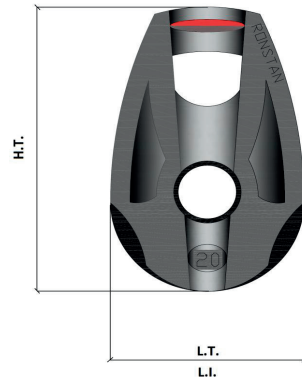
MAILLON TECHNICAL DATA

DESCRIPTION

PULLEY	20 m/m
CODE	RF25109
MATERIAL	STAINLESS STEEL
	NYLON
	CARBON ACETAL
BEARING	DELRIN®
WEIGHT	9 g/piece

TECHNICAL SPECIFICATIONS

DIMENSIONS	m/m
L.T.	20
L.I.	20
H.T.	32
Ø	6 MAX
LOAD	kg
WORKING LIMIT	250
BREAKING	550



THREAD TECHNICAL DATA**SAIL MAKING**

NAME	SERAFIL
N° OF REFERENCE	60
MATERIAL	POLYESTER
TYPE OF FINISH	SILK
LINEAR DENSITY	NM 61 / 3 (DTEX 163 * 3)
BREAKING STRENGTH	3,000 CN
ELONGATION	17,00%

SERAFIL PROPERTIES

SOLIDITY ARTIFICIAL LIGTH	ISO 105 B02 > 5 - 6
SOLIDITY SWEAT	ISO 105 E04 > 4
SOLIDITY WASHING	ISO 105 C04 > 3
SOLIDITY GRAZE IN DRY	ISO 105 X12 > 4
SOLIDITY WASHING IN DRY	ISO 105 D01 > 3 - 4

TREATMENT WATER REPELLENT	WR
---------------------------	----

RISERS MAKING

NAME	COATS BONDED C.F.P.
N° OF REFERENCE	V138
MATERIAL	POLYESTER
TYPE OF FINISH	SILK
BREAKING STRENGTH	9,5 kg
ELONGATION	19%

RISERS TECHNICAL DATA**RISERS**

N° OF REFERENCE	10148
MATERIAL	DYNEEMA
WIDTH	5/6 m/m
THICKNESS	1,5 m/m
WEIGHT	5 g* L.M.
COLOUR	316 CARBON

COLOUR INDICATOR

N° OF REFERENCE	IC-G 1-2
MATERIAL	POLYESTER
WIDTH	70 m/m
THICKNESS	0,80 m/m
BREAKING STRENGTH	130 DN
ELONGATION	35 %
WEIGHT	32 g* L.M.
COLOUR	GREEN

LOOPS

N° OF REFERENCE	LKI - 10
MATERIAL	NYLON
WIDTH	10 m/m
BREAKING STRENGTH	84 kg
ELONGATION	30 %
WEIGHT	5,5 g/m
COLOUR	WHITE

